

FAG



Radial Insert Ball Bearings and Housing Units

Black Series

SCHAEFFLER

Foreword

FAG Black Series

The new radial insert ball bearing and housing units FAG Black Series from Schaeffler give easy mounting, smooth running and high reliability and thus allow particularly economical bearing arrangements.

The dimensions of the FAG housings, made from flake graphite cast iron and with a primer paint coating, conform to JIS B 1559. These single piece cast housings can support moderate to high radial and axial loads. The radial insert ball bearings have basic protection against corrosion due to the Durotect® B coating.

The bearing units are particularly suitable for applications with moderate to high loads.

Typical areas of application are:

- agricultural, construction and mining machinery
- power transmission and conveying equipment
- pumps
- textile, paper and woodworking machinery
- machines for the food container filling, wood and packaging industry
- steel industry.

Radial insert ball bearings

FAG radial insert ball bearings with a spherical outer ring are based on deep groove ball bearings 62 and are designed in accordance with JIS B 1558. The outer and inner rings as well as the flinger shields of the radial insert ball bearings are provided with the Durotect® B coating in order to offer basic protection against corrosion. The Black Series radial insert ball bearings are available with two location methods and one type of seal. They can be relubricated and are particularly easy to install.

Housing units with flake graphite cast iron housings

Housing units in accordance with JIS B 1557 comprise FAG flake graphite cast iron housings with a concave bore in which FAG radial insert ball bearings are fitted. These units are matched to each other and are available as plummer block housing units, flanged housing units and take-up housing units.

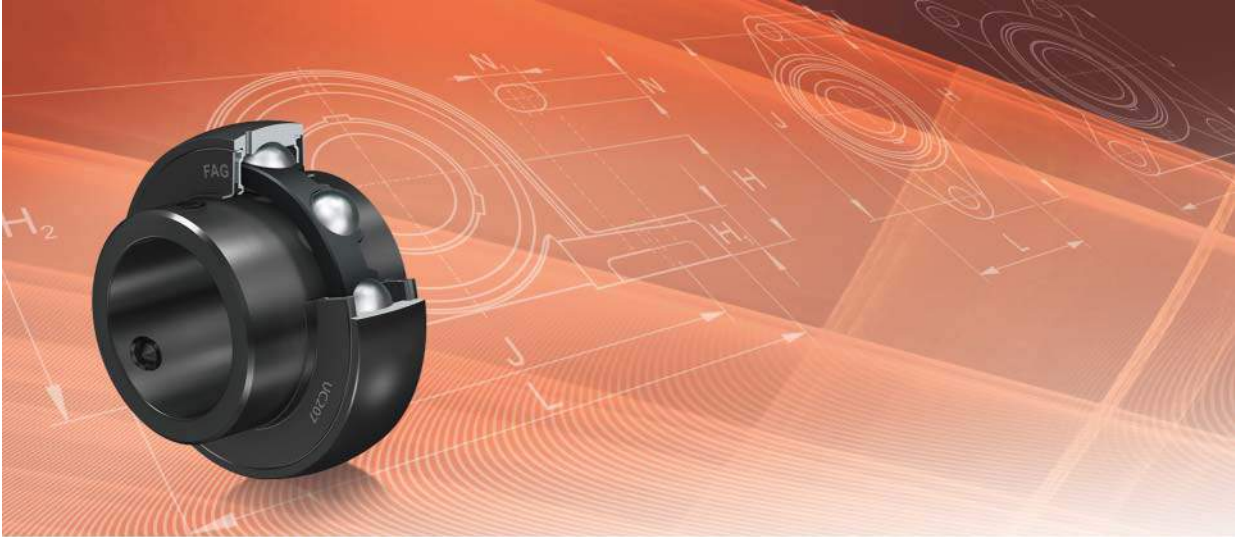
Radial insert ball bearings with a spherical outer ring, when fitted in housings with a concave bore, can compensate for static misalignment of the shaft.

Housing units are supplied with a loose packed lubrication nipple and integrated end cap for the lubrication nipple as well as an Allen key.

Contents

| | Page |
|----------------------------------|------|
| Radial insert ball bearings..... | 4 |
| Housing units | 20 |

FAG



Radial insert ball bearings

Radial insert ball bearings

| | Page |
|--|------|
| Matrix | |
| Features of radial insert ball bearings, comparison of series..... | 6 |
| Product overview | |
| Radial insert ball bearings..... | 8 |
| Features | |
| Anti-corrosion protection | 9 |
| Location on shaft | 9 |
| Sealing | 10 |
| Design and safety guidelines | |
| Compensation of static misalignments..... | 11 |
| Speed limits for radial insert ball bearings..... | 12 |
| Shaft tolerances for radial insert ball bearings..... | 13 |
| Accuracy | |
| Standard tolerances of radial insert ball bearings | 13 |
| Radial internal clearance of radial insert ball bearings | 14 |
| Dimension tables | |
| Radial insert ball bearings with grub screws in inner ring, spherical outer ring..... | 16 |
| Radial insert ball bearings with adapter sleeve, spherical outer ring..... | 18 |

**Features of
radial insert ball bearings,
comparison of series**

| Series | Shaft diameter | | | | Compensation of misalignment | Internal clearance |
|-----------|----------------|----|-------------|----------------|---------------------------------|-----------------------|
| | mm | | <i>inch</i> | | | |
| | from | to | from | to | | |
| UC | 12 | 90 | $1/2$ | $3\frac{1}{2}$ | yes | C3 |
| UK | 20 | 80 | – | – | yes | C4 |

¹⁾ Attention!

Recommended operating temperature of bearing series.

If temperatures exceed +100 °C, relubrication must be carried out regularly.

| Location | Sealing | Cage material | Greasing | Relubrication facility | Temperature ¹⁾ | | Comments | Dimension table Page |
|----------------|---------|---------------|----------|------------------------|---------------------------|------|---------------------|-------------------------|
| | | | | | °C | | | |
| | | | | | from | to | | |
| Grub screw | RSR | PA66 | GA13 | yes | -20 | +120 | Corrosion-resistant | 16 |
| Adapter sleeve | RSR | PA66 | GA13 | yes | -20 | +120 | Corrosion-resistant | 18 |

Product overview Radial insert ball bearings

**With grub screws
in inner ring**

Spherical outer ring



With adapter sleeve

Spherical outer ring



Radial insert ball bearings

Features These radial insert ball bearings are based on single row deep groove ball bearings 62 and comprise a solid section outer ring and an inner ring extended on both sides.

The bearings have plastic cages and are sealed on both sides by single piece seals RSR with a vulcanised seal lip and an outer flinger shield.

The honed raceways of the bearing rings, in conjunction with the high ball grade, ensure quiet running and a reduced frictional torque.

The outer ring has a spherical outside surface. In combination with a housing matched to the design, bearings with a spherical outer ring can compensate static misalignments of the shaft, see page 11.

The radial insert ball bearings are pregreased and can be relubricated by means of two lubrication holes in the outer ring.

Inch size designs The radial insert ball bearings are also available with inch size bore dimensions, see dimension table.

Anti-corrosion protection The inner and outer rings as well as the flinger shields of the radial insert ball bearings are provided with the Durotect® B coating in order to offer basic protection against corrosion. Adapter sleeves have a Durotect® B or phosphate coating.

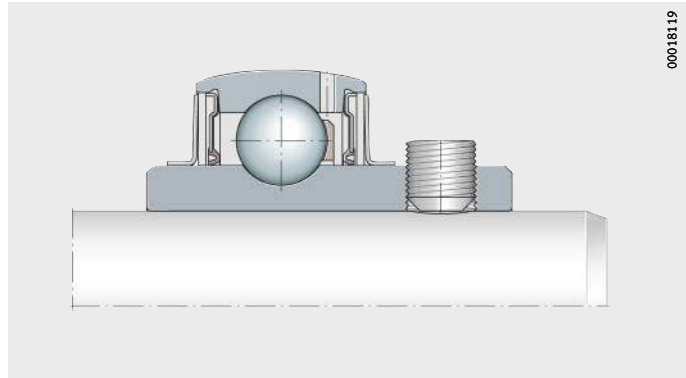
Location on shaft Radial insert ball bearings are particularly easy to fit and are preferentially suitable for drawn shafts with the tolerances h6 © to h9 ©.

In the radial insert ball bearings UC, the inner ring is located on the shaft by means of two grub screws offset by 120°, *Figure 1*, page 10. They are suitable for bearing arrangements with a constant direction of rotation or, under low speed and load, for an alternating direction of rotation.

The grub screws are self-retaining and have a fine pitch thread with cup point for secure location of the bearings. In order to allow better differentiation, the metric grub screws have a Durotect® B coating while the inch size grub screws are zinc plated.

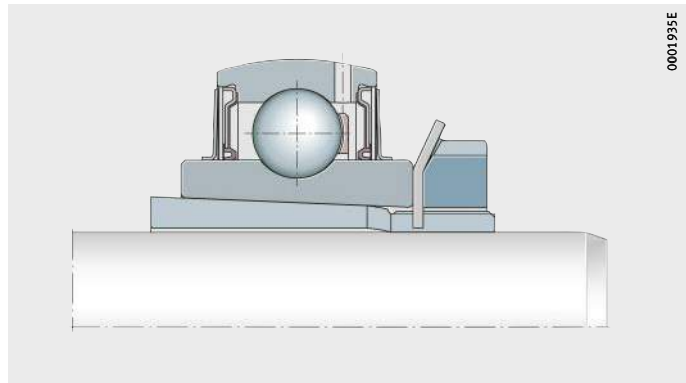
In the case of radial insert ball bearings UK, the inner ring is located on the shaft by means of a concentric adapter sleeve in accordance with JIS B 1552, *Figure 2*, page 10. They are suitable for bearing arrangements with an alternating direction of rotation, even under high speed and load.

Radial insert ball bearings



UC

Figure 1
Location by grub screws
in the inner ring



UK

Figure 2
Location by adapter sleeve

Tightening torques

Tightening torques for metric and inch size grub screws, see table, page 32.
Tightening torques for locknuts, see table, page 32.

Sealing

FAG Black Series radial insert ball bearings are supplied with seals RSR, see table.

Seal types

| Seal RSR | |
|----------|---|
| | <p>0001811A</p> <p>Single piece, zinc-plated sheet steel washer with vulcanised and radially preloaded seal lip made from NBR and additional flinger shield</p> |

Operating temperature

The insert bearings are designed for operating temperatures from -20 °C to $+120\text{ °C}$.



In the case of temperatures over $\vartheta = +100\text{ °C}$, relubrication must be carried out regularly.

**Design and
safety guidelines**
**Compensation
of static misalignments**

Bearings with a spherical outer ring, fitted in housings with a concave bore, can compensate for static misalignment of the shaft, *Figure 3*:

- with relubrication, up to $\pm 2,5^\circ$
- without relubrication, up to $\pm 5^\circ$.



The units must not be used to support swivelling or tumbling motion.

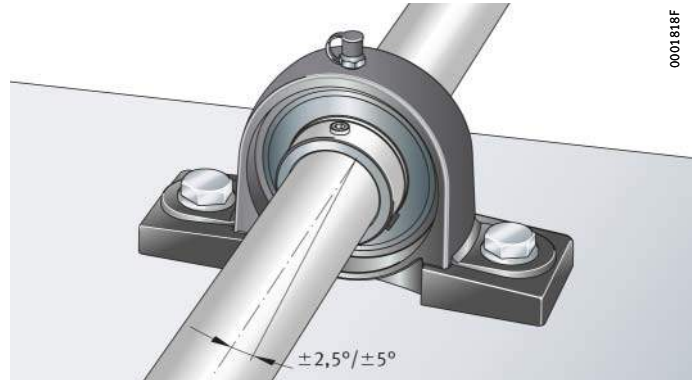


Figure 3
Compensation
of static shaft misalignment

Radial insert ball bearings

Speed limits for radial insert ball bearings

The speed limits are dependent on the load, the clearance between the bearing bore and shaft and the friction of the seals in the case of bearings with contact seals.

Guide values for the permissible speeds can be derived from the diagram, *Figure 4*.

In the case of load ratios $C_r/P > 13$, the speeds can be increased. At $C_r/P < 5$, location by means of a fit is recommended, see section Conditions of rotation, chapter Technical principles, Catalogue HR 1, Rolling Bearings. For both types of applications, please contact us.

Example of permissible speed calculation

Example

Given:

- Shaft tolerance h6 ©
- Radial insert ball bearing UC206
- Basic dynamic load rating C_r 20 700 N
- Load P 1 300 N
- Sealing Seals RSR.

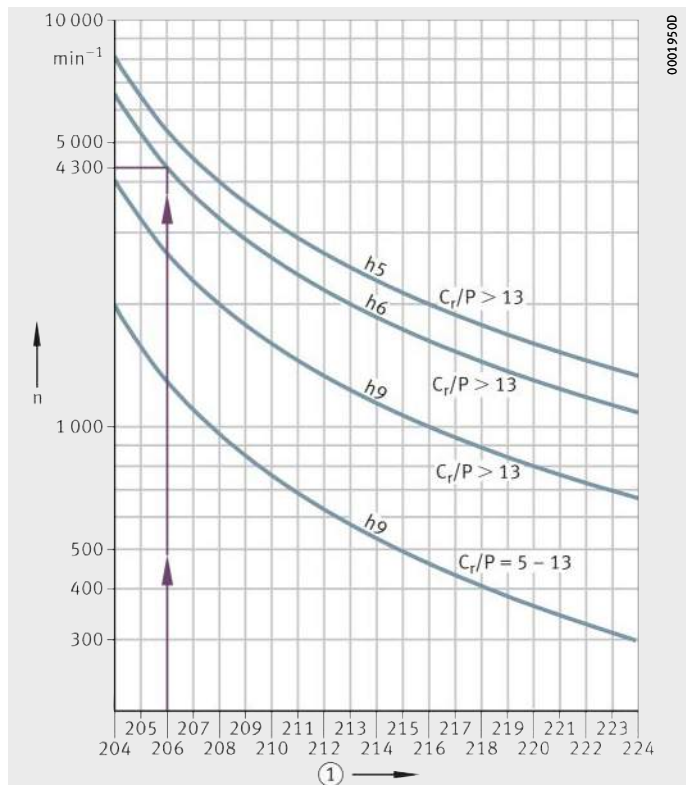
Required:

- Load ratio $C_r/P = 20\,700\text{ N}/1\,300\text{ N}$ $C_r/P > 13$
- Permissible speed $n \approx 4\,300\text{ min}^{-1}$, *Figure 4*.

n = permissible speed
 $h5, h6, h9$ = shaft tolerance
 (this is subject to the envelope requirement ©)
 C_r/P = load ratio

① Ball set (bearings of sizes 201, 202, 203 und 204 all have the ball set 204)

Figure 4
 Permissible speed for radial insert ball bearings with seals RSR



Shaft tolerances for radial insert ball bearings

The permissible shaft tolerance is dependent on the speed and load. Tolerances h6 © to h9 © are recommended.

Conventional drawn shafts will suffice for most applications.

Accuracy Standard tolerances of radial insert ball bearings

The outside diameter tolerances of the bearings conform to the tolerances in accordance with JIS B 1558. The inner ring bore has a plus tolerance to allow easier mounting of the bearing, see tables.

Inner ring tolerances

| Nominal bearing bore diameter d mm | | Variation ¹⁾ Δ_{dmp} μm | | Width deviation Δ_{Bs} μm | |
|--|--------|--|------|---|------|
| over | incl. | min. | max. | min. | max. |
| 10 | 18 | 0 | +15 | -120 | 0 |
| 18 | 31,75 | 0 | +18 | -120 | 0 |
| 31,75 | 50,8 | 0 | +21 | -120 | 0 |
| 50,8 | 80,962 | 0 | +24 | -150 | 0 |
| 80,962 | 120 | 0 | +28 | -200 | 0 |

¹⁾ This corresponds to the arithmetic mean value derived from the largest and smallest diameters (measured using a two-point measuring device).

Outer ring tolerances

| Nominal outside diameter D_{sp} mm | | Variation ¹⁾ Δ_{Dm} μm | |
|--|-------|---|------|
| over | incl. | min. | max. |
| 30 | 50 | -11 | 0 |
| 50 | 80 | -13 | 0 |
| 80 | 120 | -15 | 0 |
| 120 | 150 | -18 | 0 |
| 150 | 180 | -25 | 0 |
| 180 | 250 | -30 | 0 |

¹⁾ In the case of sealed bearings, the largest and smallest values of the outside diameter can deviate from the mean value by approx. 0,03 mm.

Radial insert ball bearings

Radial internal clearance of radial insert ball bearings

The radial internal clearance in accordance with JIS B 1520 is C3 for radial insert ball bearings UC and C4 for radial insert ball bearings UK. It is thus larger than in the case of normal deep groove ball bearings, see table.

The larger internal clearance allows better support of misalignments and shaft deflection.

Radial internal clearance

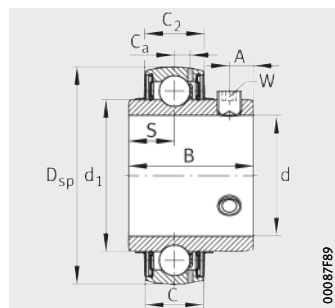
| Bore | | Ball set | Outside diameter D mm | Radial internal clearance | | | |
|---------|---------|----------|-----------------------------|---------------------------|------|----------|------|
| d mm | inch | | | C3 μm | | C4 μm | |
| | | | | min. | max. | min. | max. |
| 12 | – | 204 | 47 | 13 | 28 | 20 | 36 |
| 12,7 | 1/2 | | | | | | |
| 14,288 | 9/16 | | | | | | |
| 15 | – | | | | | | |
| 15,875 | 5/8 | | | | | | |
| 17 | – | | | | | | |
| 17,462 | 11/16 | | | | | | |
| 19,05 | 3/4 | | | | | | |
| 20 | – | | | | | | |
| 20,638 | 13/16 | 205 | 52 | 13 | 28 | 23 | 41 |
| 22,225 | 7/8 | | | | | | |
| 23,812 | 15/16 | | | | | | |
| 25 | – | | | | | | |
| 25,4 | 1 | | | | | | |
| 26,988 | 1 1/16 | 206 | 62 | 13 | 28 | 23 | 41 |
| 28,575 | 1 1/8 | | | | | | |
| 30 | – | | | | | | |
| 30,162 | 1 3/16 | | | | | | |
| 31,75 | 1 1/4 | | | | | | |
| 31,75 | 1 1/4 | 207 | 72 | 15 | 33 | 28 | 46 |
| 33,338 | 1 5/16 | | | | | | |
| 34,925 | 1 3/8 | | | | | | |
| 35 | – | | | | | | |
| 36,512 | 1 7/16 | | | | | | |
| 38,1 | 1 1/2 | 208 | 80 | 15 | 33 | 28 | 46 |
| 39,688 | 1 9/16 | | | | | | |
| 40 | – | 209 | 85 | 18 | 36 | 30 | 51 |
| 41,275 | 1 5/8 | | | | | | |
| 42,862 | 1 11/16 | | | | | | |
| 44,45 | 1 3/4 | | | | | | |
| 45 | – | | | | | | |
| 46,038 | 1 13/16 | 210 | 90 | 18 | 36 | 30 | 51 |
| 47,625 | 1 7/8 | | | | | | |
| 49,212 | 1 15/16 | | | | | | |
| 50 | – | | | | | | |
| 50,8 | 2 | | | | | | |

Radial internal clearance
(continued)

| Bore | | Ball set | Outside diameter D mm | Radial internal clearance | | | |
|---------|---------------------------------|----------|-----------------------------|---------------------------|-----------------------|-----------------------|-----------------------|
| d | | | | C3 | | C4 | |
| mm | <i>inch</i> | | | μm min. | μm max. | μm min. | μm max. |
| 50,8 | 2 | 211 | 100 | 23 | 43 | 38 | 61 |
| 52,388 | 2 ¹ / ₁₆ | | | | | | |
| 53,975 | 2 ¹ / ₈ | | | | | | |
| 55 | – | | | | | | |
| 55,562 | 2 ³ / ₁₆ | | | | | | |
| 57,15 | 2 ¹ / ₄ | 212 | 110 | 23 | 43 | 38 | 61 |
| 58,738 | 2 ⁵ / ₁₆ | | | | | | |
| 60 | – | | | | | | |
| 60,325 | 2 ³ / ₈ | | | | | | |
| 61,912 | 2 ⁷ / ₁₆ | | | | | | |
| 63,5 | 2 ¹ / ₂ | 213 | 120 | 23 | 43 | 38 | 61 |
| 65 | – | | | | | | |
| 65,09 | 2 ⁹ / ₁₆ | | | | | | |
| 66,675 | 2 ⁵ / ₈ | 214 | 125 | 23 | 43 | 38 | 61 |
| 68,262 | 2 ¹¹ / ₁₆ | | | | | | |
| 69,85 | 2 ³ / ₄ | | | | | | |
| 70 | – | | | | | | |
| 71,438 | 2 ¹³ / ₁₆ | | | | | | |
| 73,025 | 2 ⁷ / ₈ | 215 | 130 | 25 | 51 | 46 | 71 |
| 74,612 | 2 ¹⁵ / ₁₆ | | | | | | |
| 75 | – | | | | | | |
| 76,2 | 3 | | | | | | |
| 77,787 | 3 ¹ / ₁₆ | | | | | | |
| 79,375 | 3 ¹ / ₈ | 216 | 140 | 25 | 51 | 46 | 71 |
| 80 | – | | | | | | |
| 80,962 | 3 ³ / ₁₆ | | | | | | |
| 82,55 | 3 ¹ / ₄ | | | | | | |
| 84,137 | 3 ⁵ / ₁₆ | | | | | | |
| 85 | – | 217 | 150 | 25 | 51 | 46 | 71 |
| 87,312 | 3 ⁷ / ₁₆ | | | | | | |
| 88,9 | 3 ¹ / ₂ | | | | | | |
| 90 | – | 218 | 160 | 30 | 58 | 53 | 84 |
| 93,662 | 3 ¹¹ / ₁₆ | 219 | 170 | | | | |
| 95 | – | 220 | 180 | | | | |
| 100 | – | | | | | | |
| 100,012 | 3 ¹⁵ / ₁₆ | | | | | | |
| 101,6 | 4 | | | | | | |

Radial insert ball bearings with grub screws in inner ring

Spherical outer ring

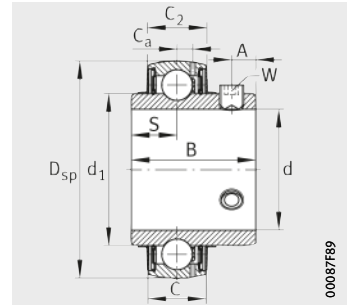


UC

| Dimension table · Dimensions in mm and inch | | | | | | | | | | | | | | |
|---|-------------------|------------|---------|-----------------|----|----------------|------|------|----------------|----------------|----|--------------------|-----------------------------|-------------------------------|
| Designation | Mass m ≈ kg | Dimensions | | | | | | | | | | Basic load ratings | | |
| | | d | | D _{sp} | C | C ₂ | B | S | d ₁ | C _a | A | W | dyn. C _r N | stat. C _{0r} N |
| | | mm | inch | | | | | | | | | | | |
| UC201 | 0,2 | 12 | – | 47 | 17 | 16,8 | 31 | 12,7 | 27,56 | 4,2 | 5 | 3 | 13 600 | 6 600 |
| UC201-08 | 0,2 | 12,7 | 1/2 | | | | | | | | | 1/8 | | |
| UC202-09 | 0,19 | 14,29 | 9/16 | | | | | | | | | 1/8 | | |
| UC202 | 0,18 | 15 | – | | | | | | | | | 3 | | |
| UC202-10 | 0,18 | 15,88 | 5/8 | | | | | | | | | 1/8 | | |
| UC203 | 0,17 | 17 | – | | | | | | | | | 3 | | |
| UC203-11 | 0,17 | 17,46 | 11/16 | | | | | | | | | 1/8 | | |
| UC204-12 | 0,16 | 19,05 | 3/4 | | | | | | | | | 1/8 | | |
| UC204 | 0,15 | 20 | – | | | | | | | | | 3 | | |
| UC205-13 | 0,24 | 20,64 | 13/16 | 52 | 17 | 17,6 | 34,1 | 14,3 | 33,83 | 4,2 | 5 | 1/8 | 14 900 | 7 800 |
| UC205-14 | 0,22 | 22,23 | 7/8 | | | | | | | | | 1/8 | | |
| UC205-15 | 0,21 | 23,81 | 15/16 | | | | | | | | | 1/8 | | |
| UC205 | 0,2 | 25 | – | | | | | | | | | 3 | | |
| UC205-16 | 0,19 | 25,4 | 1 | | | | | | | | | 1/8 | | |
| UC206-17 | 0,35 | 26,99 | 1 1/16 | 62 | 19 | 19,6 | 38,1 | 15,9 | 40,2 | 5 | 5 | 1/8 | 20 700 | 11 300 |
| UC206-18 | 0,33 | 28,58 | 1 1/8 | | | | | | | | | 1/8 | | |
| UC206 | 0,31 | 30 | – | | | | | | | | | 3 | | |
| UC206-19 | 0,31 | 30,16 | 1 3/16 | | | | | | | | | 1/8 | | |
| UC206-20 | 0,29 | 31,75 | 1 1/4 | | | | | | | | | 1/8 | | |
| UC207-20 | 0,52 | 31,75 | 1 1/4 | 72 | 20 | 20,6 | 42,9 | 17,5 | 46,84 | 5,7 | 7 | 5/32 | 27 500 | 15 300 |
| UC207-21 | 0,5 | 33,34 | 1 5/16 | | | | | | | | | 5/32 | | |
| UC207-22 | 0,47 | 34,93 | 1 3/8 | | | | | | | | | 5/32 | | |
| UC207 | 0,47 | 35 | – | | | | | | | | | 4 | | |
| UC207-23 | 0,44 | 36,51 | 1 7/16 | | | | | | | | | 5/32 | | |
| UC208-24 | 0,66 | 38,1 | 1 1/2 | 80 | 21 | 21,6 | 49,2 | 19 | 52,27 | 6,2 | 8 | 5/32 | 34 500 | 19 800 |
| UC208-25 | 0,63 | 39,69 | 1 9/16 | | | | | | | | | 5/32 | | |
| UC208 | 0,62 | 40 | – | | | | | | | | | 4 | | |
| UC209-26 | 0,79 | 41,28 | 1 5/8 | 85 | 22 | 22,6 | 49,2 | 19 | 57,91 | 6,3 | 8 | 5/32 | 34 500 | 20 400 |
| UC209-27 | 0,75 | 42,86 | 1 11/16 | | | | | | | | | 5/32 | | |
| UC209-28 | 0,71 | 44,45 | 1 3/4 | | | | | | | | | 5/32 | | |
| UC209 | 0,69 | 45 | – | | | | | | | | | 4 | | |
| UC210-29 | 0,92 | 46,04 | 1 13/16 | 90 | 24 | 24,6 | 51,6 | 19 | 62,84 | 6,5 | 10 | 3/16 | 37 500 | 23 200 |
| UC210-30 | 0,87 | 47,63 | 1 7/8 | | | | | | | | | 3/16 | | |
| UC210-31 | 0,82 | 49,21 | 1 15/16 | | | | | | | | | 3/16 | | |
| UC210 | 0,8 | 50 | – | | | | | | | | | 5 | | |
| UC210-32 | 0,77 | 50,8 | 2 | | | | | | | | | 3/16 | | |

Radial insert ball bearings with grub screws in inner ring

Spherical outer ring



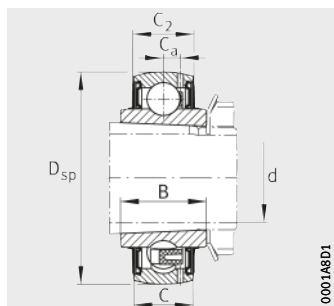
UC

Dimension table (continued) · Dimensions in mm and *inch*

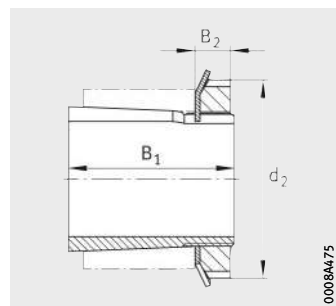
| Designation | Mass m ≈ kg | Dimensions | | | | | | | | | | Basic load ratings | | |
|-------------|-------------------|------------|---------------------------------|-----------------|----|----------------|------|------|----------------|----------------|----|--------------------|-----------------------------|-------------------------------|
| | | d | | D _{sp} | C | C ₂ | B | S | d ₁ | C _a | A | W | dyn. C _r N | stat. C _{0r} N |
| | | mm | <i>inch</i> | | | | | | | | | | | |
| UC211-32 | 1,22 | 50,8 | 2 | 100 | 25 | 25,6 | 55,6 | 22,2 | 69,77 | 7 | 10 | 3/16 | 46 000 | 29 000 |
| UC211-33 | 1,17 | 52,39 | 2 ¹ / ₁₆ | | | | | | | | | | | |
| UC211-34 | 1,11 | 53,98 | 2 ¹ / ₈ | | | | | | | | | | | |
| UC211 | 1,07 | 55 | – | | | | | | | | | | | |
| UC211-35 | 1,05 | 55,56 | 2 ³ / ₁₆ | | | | | | | | | | | |
| UC212-36 | 1,62 | 57,15 | 2 ¹ / ₄ | 110 | 27 | 27,6 | 65,1 | 25,4 | 76,48 | 7,4 | 10 | 3/16 | 56 000 | 36 000 |
| UC212-37 | 1,55 | 58,74 | 2 ⁵ / ₁₆ | | | | | | | | | | | |
| UC212 | 1,49 | 60 | – | | | | | | | | | | | |
| UC212-38 | 1,48 | 60,33 | 2 ³ / ₈ | | | | | | | | | | | |
| UC212-39 | 1,4 | 61,91 | 2 ⁷ / ₁₆ | | | | | | | | | | | |
| UC213-40 | 1,79 | 63,5 | 2 ¹ / ₂ | 120 | 28 | 29,4 | 65,1 | 25,4 | 80,85 | 8,2 | 12 | 1/4 | 61 000 | 40 000 |
| UC213 | 1,72 | 65 | – | | | | | | | | | | | |
| UC213-41 | 1,71 | 65,09 | 2 ⁹ / ₁₆ | | | | | | | | | | | |
| UC214-42 | 2,17 | 66,68 | 2 ⁵ / ₈ | 125 | 30 | 31,4 | 74,6 | 30,2 | 85,2 | 8,5 | 12 | 1/4 | 66 000 | 44 000 |
| UC214-43 | 2,07 | 68,26 | 2 ¹¹ / ₁₆ | | | | | | | | | | | |
| UC214-44 | 1,97 | 69,85 | 2 ³ / ₄ | | | | | | | | | | | |
| UC214 | 1,96 | 70 | – | | | | | | | | | | | |
| UC215-45 | 2,39 | 71,44 | 2 ¹³ / ₁₆ | 130 | 32 | 33,4 | 77,8 | 33,3 | 90 | 8,5 | 12 | 1/4 | 66 000 | 44 500 |
| UC215-46 | 2,28 | 73,03 | 2 ⁷ / ₈ | | | | | | | | | | | |
| UC215-47 | 2,17 | 74,61 | 2 ¹⁵ / ₁₆ | | | | | | | | | | | |
| UC215 | 2,14 | 75 | – | | | | | | | | | | | |
| UC215-48 | 2,06 | 76,2 | 3 | | | | | | | | | | | |
| UC216-49 | 2,88 | 77,79 | 3 ¹ / ₁₆ | 140 | 33 | 34,4 | 82,6 | 33,3 | 97 | 9,3 | 14 | 1/4 | 76 000 | 54 000 |
| UC216-50 | 2,76 | 79,38 | 3 ¹ / ₈ | | | | | | | | | | | |
| UC216 | 2,71 | 80 | – | | | | | | | | | | | |
| UC216-51 | 2,63 | 80,96 | 3 ³ / ₁₆ | | | | | | | | | | | |
| UC217-52 | 3,62 | 82,55 | 3 ¹ / ₄ | 150 | 35 | 36,4 | 85,7 | 34,1 | 104,09 | 10 | 14 | 1/4 | 88 000 | 64 000 |
| UC217-53 | 3,48 | 84,14 | 3 ⁵ / ₁₆ | | | | | | | | | | | |
| UC217 | 3,41 | 85 | – | | | | | | | | | | | |
| UC217-55 | 3,2 | 87,31 | 3 ⁷ / ₁₆ | | | | | | | | | | | |
| UC218-56 | 4,2 | 88,9 | 3 ¹ / ₂ | 160 | 38 | 39,4 | 96 | 39,7 | 109,4 | 11 | 15 | 1/4 | 102 000 | 72 000 |
| UC218 | 4,08 | 90 | – | | | | | | | | | | | |

Radial insert ball bearings with adapter sleeve

Spherical outer ring



UK



Complete adapter sleeve¹⁾

Dimension table - Dimensions in mm

| Designation | Mass m ≈ kg | Dimensions | | | | | | Basic load ratings | |
|-------------|-------------------|------------|-----------------|----|----------------|----|----------------|-----------------------------|-------------------------------|
| | | d | D _{sp} | C | C ₂ | B | C _a | dyn. C _r N | stat. C _{0r} N |
| UK205 | 0,25 | 20 | 52 | 17 | 17,6 | 23 | 4,2 | 14 900 | 7 800 |
| UK206 | 0,37 | 25 | 62 | 19 | 19,6 | 26 | 5 | 20 700 | 11 300 |
| UK207 | 0,54 | 30 | 72 | 20 | 20,6 | 29 | 5,7 | 27 500 | 15 300 |
| UK208 | 0,7 | 35 | 80 | 21 | 21,6 | 31 | 6,2 | 34 500 | 19 800 |
| UK209 | 0,83 | 40 | 85 | 22 | 22,6 | 32 | 6,3 | 34 500 | 20 400 |
| UK210 | 0,98 | 45 | 90 | 24 | 24,6 | 34 | 6,5 | 37 500 | 23 200 |
| UK211 | 1,24 | 50 | 100 | 25 | 25,6 | 36 | 7 | 46 000 | 29 000 |
| UK212 | 1,58 | 55 | 110 | 27 | 27,6 | 40 | 7,4 | 56 000 | 36 000 |
| UK213 | 1,88 | 60 | 120 | 28 | 29,4 | 41 | 8,2 | 61 000 | 40 000 |
| UK215 | 2,62 | 65 | 130 | 32 | 33,4 | 44 | 8,5 | 66 000 | 44 500 |
| UK216 | 3,23 | 70 | 140 | 33 | 34,4 | 46 | 9,3 | 76 000 | 54 000 |
| UK217 | 3,9 | 75 | 150 | 35 | 36,4 | 48 | 10 | 88 000 | 64 000 |
| UK218 | 4,62 | 80 | 160 | 38 | 39,4 | 51 | 11 | 102 000 | 72 000 |

¹⁾ Radial insert ball bearings UK are supplied with an adapter sleeve H..X.

| Designation | | | | | Mass m ≈ kg | Dimensions | | |
|----------------------------|--------|---------|------------|---------------------|-------------------|----------------|----------------|------------------------|
| Adapter sleeve Complete | Sleeve | Locknut | Tab washer | Matching bearing | | B ₁ | B ₂ | d ₂ max. |
| H2305X | A2305X | AN05 | AW05X | UK205 | 0,1 | 35 | 8 | 38 |
| H2306X | A2306X | AN06 | AW06X | UK206 | 0,13 | 38 | 8 | 45 |
| H2307X | A2307X | AN07 | AW07X | UK207 | 0,18 | 43 | 9 | 52 |
| H2308X | A2308X | AN08 | AW08X | UK208 | 0,23 | 46 | 10 | 58 |
| H2309X | A2309X | AN09 | AW09X | UK209 | 0,31 | 50 | 11 | 65 |
| H2310X | A2310X | AN10 | AW10X | UK210 | 0,38 | 55 | 12 | 70 |
| H2311X | A2311X | AN11 | AW11X | UK211 | 0,45 | 59 | 12 | 75 |
| H2312X | A2312X | AN12 | AW12X | UK212 | 0,5 | 62 | 13 | 80 |
| H2313X | A2313X | AN13 | AW13X | UK213 | 0,58 | 65 | 14 | 85 |
| H2315X | A2315X | AN15 | AW15X | UK215 | 1,1 | 73 | 15 | 98 |
| H2316X | A2316X | AN16 | AW16X | UK216 | 1,33 | 78 | 17 | 105 |
| H2317X | A2317X | AN17 | AW17X | UK217 | 1,51 | 82 | 18 | 110 |
| H2318X | A2318X | AN18 | AW18X | UK218 | 1,77 | 86 | 18 | 120 |

FAG

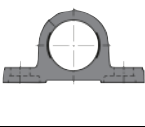
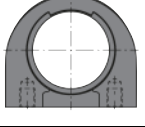
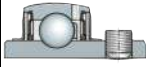
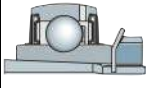


Housing units

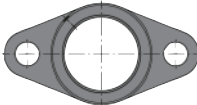
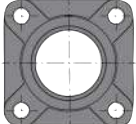

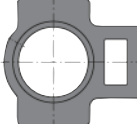

Housing units

| | Page |
|-------------------------------------|---|
| Matrix | Possible combinations of radial insert ball bearings and housings 22 |
| Product overview | Housing units 24 |
| Features | Housing units with flake graphite cast iron housing 26 |
| Design and safety guidelines | Compensation of static misalignments 29 |
| | Load carrying capacity of housings 29 |
| | Load carrying capacity and speed limits of radial insert ball bearings 29 |
| | Design of adjacent construction 29 |
| | Mounting and dismounting 30 |
| Accuracy | Dimensional tolerances 33 |
| Dimension tables | Plummer block housing units, flake graphite cast iron housing with long base |
| | with grub screws in inner ring 34 |
| | with adapter sleeve 38 |
| | Plummer block housing units, flake graphite cast iron housing with short base |
| | with grub screws in inner ring 40 |
| | Two-bolt flanged housing units, oval version |
| | with grub screws in inner ring 42 |
| | with adapter sleeve 44 |
| | Four-bolt flanged housing units, square version |
| | with grub screws in inner ring 45 |
| | with adapter sleeve 47 |
| | Four-bolt flanged housing units, round version |
| | with grub screws in inner ring 48 |
| | with adapter sleeve 52 |
| | Take-up housing units, for linear motion |
| | with grub screws in inner ring 54 |
| | with adapter sleeve 58 |
| | Take-up housing units, for swivel motion |
| | with grub screws in inner ring 60 |

Possible combinations of radial insert ball bearings and housings

| | | | |
|--|---|--|---|
| Radial insert ball bearing | | Housing | |
| | | Plummer block housing | |
| | |  |  |
| Designation | | P | PA |
| Shaft diameter d | | | |
| UC 12 mm – 90 mm <i>1/2" – 3 1/2"</i> |  | UCP page 34 | UCPA page 40 |
| UK 20 mm – 80 mm |  | UKP page 38 | Available by agreement |

Catalogue range, for dimension tables see pages indicated.
Other dimensions and combinations available by agreement.

| Two-bolt flanged housing | Four-bolt flanged housing | | Take-up housing | |
|---|---|---|---|---|
|  |  |  |  |  |
| FL | F | FC | T | FA |
| UCFL page 42 | UCF page 45 | UCFC page 48 | UCT page 54 | UCFA page 60 |
| UKFL page 44 | UKF page 47 | UKFC page 52 | UKT page 58 | Available by agreement |

Product overview Housing units

Plummer block housing units

Flake graphite cast iron housing with long base

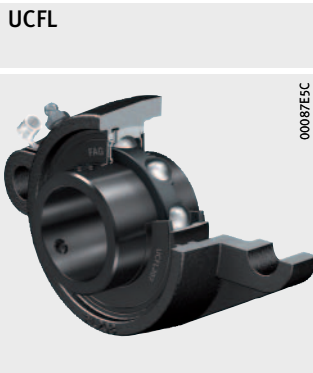


Flake graphite cast iron housing with short base



Two-bolt flanged housing units

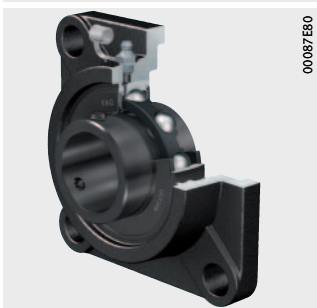
Flake graphite cast iron housing



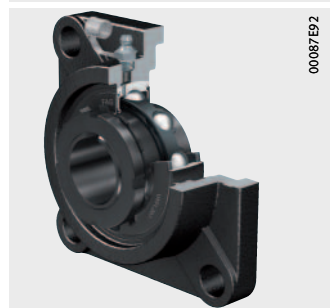
Four-bolt flanged housing units

Flake graphite cast iron housing

UCF



UKF



UCFC



UKFC



Take-up housing units

Flake graphite cast iron housing

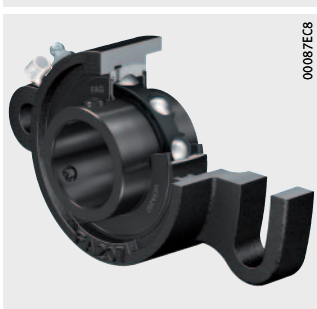
UCT



UKT



UCFA



Housing units

Features These housing units are available as plummer block housing units, flanged housing units and take-up housing units. The units are ready-to-fit and comprise FAG flake graphite cast iron housings in which FAG Black Series radial insert ball bearings are fitted. In order to ensure function and reliability under all operating conditions, the bearings and housings are matched to each other.

Due to the spherical outer ring of the bearing and the concave housing bore, housing units can compensate for static misalignments of the shaft, see page 29.

The housings are screw mounted on the adjacent construction. Less stringent tolerances are sufficient for the screw mounting surfaces, see page 29.

Housing units with flake graphite cast iron housing

The flake graphite cast iron housings are single piece components in accordance with JIS B 1559 and have high radial and axial load carrying capacity, see page 29.

The housing has a lubrication groove for relubrication of the radial insert ball bearing. The housing has a lubrication hole with an M6 thread for a lubrication nipple.

The housings have a primer paint coating as anti-corrosion protection of colour RAL 9005 (black).

Housing material

The material used for the flake graphite cast iron housings is cast iron in accordance with JIS G 5501.

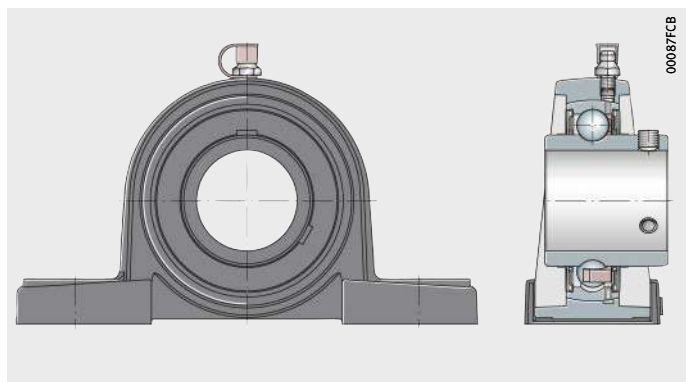
Plummer block housing units

Plummer block housing units have a housing with a short or long base and are screw mounted to the adjacent construction through slot holes or fixing holes, *Figure 1* and *Figure 2*, page 27.

Plummer block housing units with a long base are available either with radial insert ball bearings UC with grub screws or with radial insert ball bearings UK with adapter sleeves, see dimension table.

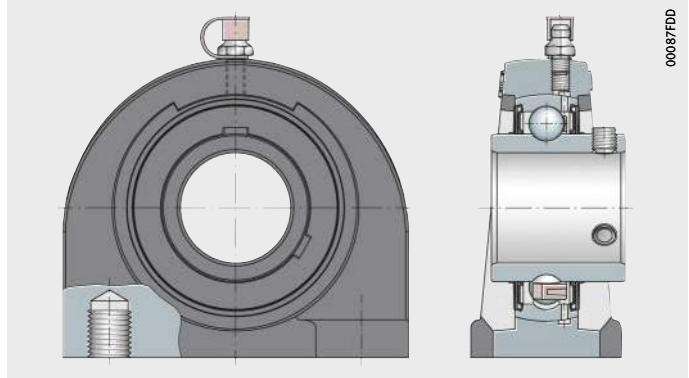
UCP

Figure 1
Plummer block housing unit,
flake graphite cast iron housing
with long base



UCPA

Figure 2
Plummer block housing unit
with short base



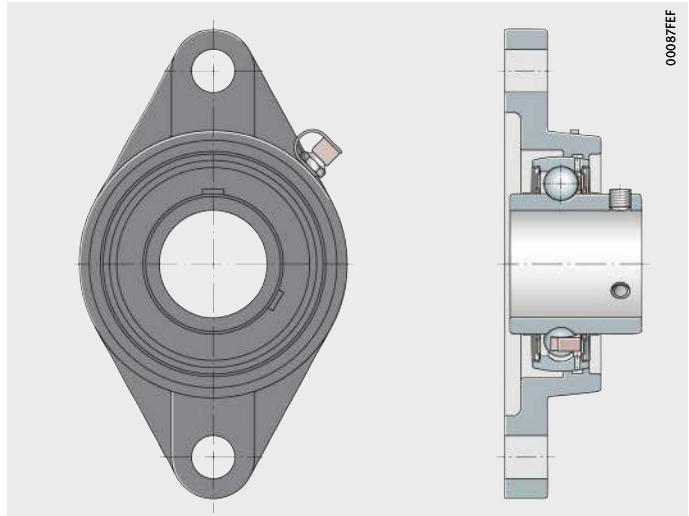
Flanged housing units

Flanged housing units are available as two-bolt and four-bolt units, *Figure 3* to *Figure 5*, page 28. The housings are oval, square or round in shape. The housings have through holes for location purposes.

Flanged housing units are available either with radial insert ball bearings UC with grub screws or with radial insert ball bearings UK with adapter sleeves, see dimension table.

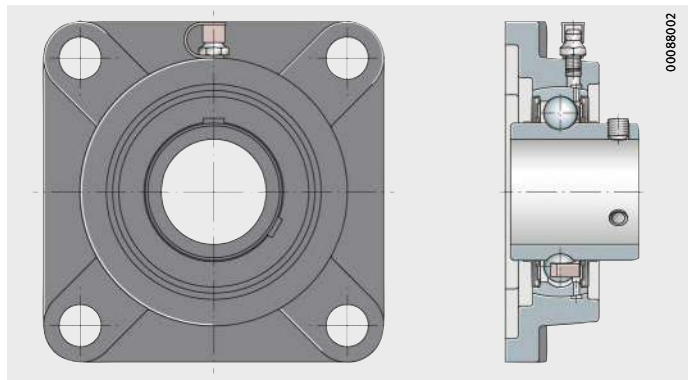
UCFL

Figure 3
Two-bolt flanged housing unit,
oval version



UCF

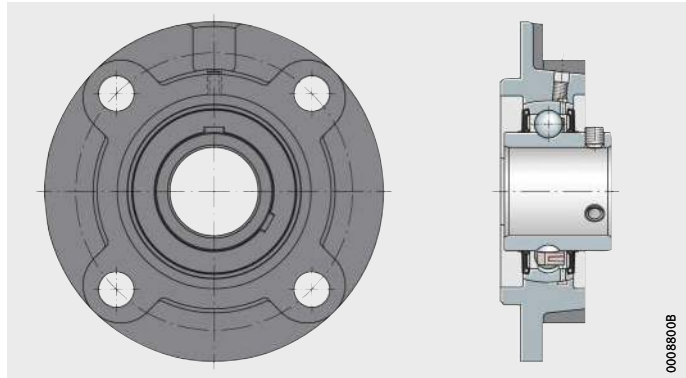
Figure 4
Four-bolt flanged housing unit,
square version



Housing units

UCFC

Figure 5
Four-bolt flanged housing unit,
round version

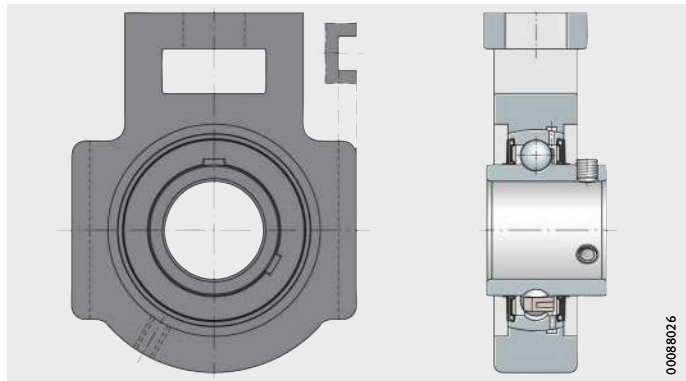


Take-up housing units

Take-up housing units can be moved or swivelled, *Figure 6* and *Figure 7*. They are used where shafts must carry out long displacement motions.

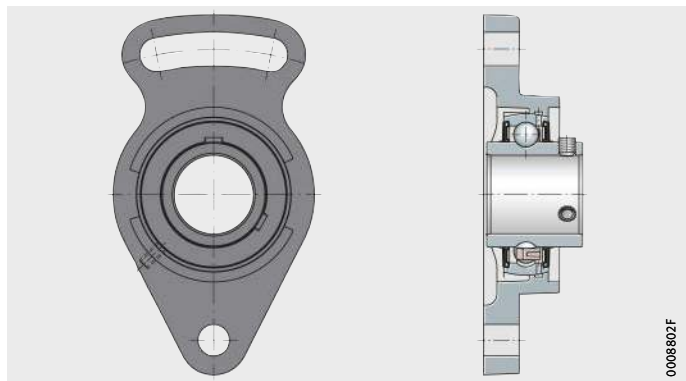
UCT

Figure 6
Take-up housing unit
for linear motion



UCFA

Figure 7
Take-up housing unit
for swivel motion



Design and safety guidelines

Compensation of static misalignments

Units with a spherical outer ring and concave housing bore can compensate static misalignments of the shaft, see page 11.

Load carrying capacity of housings

Due to their versatile characteristics, FAG housing units can be easily used in almost all industrial sectors.

Radial load carrying capacity

Flake graphite cast iron housings can support the same radial loads as the insert bearings fitted. The static load carrying capacity C_{Or} of the radial insert ball bearings is stated in the dimension tables.



Where shock loads are present, appropriate safety factors must be applied. In this case, please contact us.

Axial load carrying capacity

The axial load carrying capacity of flake graphite cast iron housings is restricted to $0,5 \times C_{Or}$.

Load carrying capacity and speed limits of radial insert ball bearings



In the design of housing units, attention must be paid to the load carrying capacity and speed limits of the radial insert ball bearings fitted:

- speed limits, see page 12
- dimension table, see page 16.

Design of adjacent construction

The permissible shaft tolerance is dependent on the speed and load. Shafts of the tolerance classes h6 \oplus to h9 \oplus can be used.

Screw mounting surfaces

Recommendations for the screw mounting surfaces are as follows:

- roughness of the screw mounting surface max. Ra 12,5 (Rzmax 63)
- The geometrical tolerance should be 0,04/100 concave, a spherical form is not permissible
- In addition, it is recommended that the housings should be secured by dowels to the locating surface if higher loads acting parallel to the locating surface occur.

Fixing screws

The screw connection should be designed in accordance with the state of the art. Screws of grade 8.8 can be used. The maximum tightening torques applicable to this screw grade must not be exceeded even if screws of a higher grade are used.

In principle, we recommend that the screw connection should only be tightened to 70% of the values stated in the standard.

Screws and accessories for location are not included in the delivery.

Housing units

| | |
|---------------------------------|---|
| Mounting and dismounting | Radial insert ball bearings must be handled with care before and during mounting. Their trouble-free operation is also dependent on the care taken during mounting. |
| Delivered condition | <p>The housings have a coating of black primer paint (RAL 9005). The radial insert ball bearings are greased using a grease in grease group GA13, see Catalogue HR 1, Rolling Bearings. The housing units are supplied with a loose packed lubrication nipple and integrated end cap for the lubrication nipple as well as an Allen key.</p> |
| Storage and shelf life | <p>The units should be stored in dry, clean rooms with a temperature as constant as possible and at a relative humidity of max. 65%. The storage life of radial insert ball bearings is limited by the shelf life of the grease, see chapter Technical principles in Catalogue HR 1, Rolling Bearings.</p> |
| Removal from packaging | Perspiration causes corrosion. Hands must therefore be kept clean and dry. Bearings should not be removed from their original packaging until immediately before mounting. |
| Preparation for mounting | <p>The following preparatory measures for mounting should be taken:</p> <ul style="list-style-type: none">■ Ensure that the mounting tools and fixing screws are present.■ Clean the shaft and remove any burrs.■ Inspect the bearing seating surfaces on the shaft.■ Keep bearing seating surfaces clean, dry and free of grease. |

Mounting of plummer block and flanged housing units



The assembly area should be as dry and clean as possible:

- The specified shaft tolerances must be observed, see page 29.
- Mounting forces must never be directed through the rolling elements.
- Blows should never be applied directly to the bearing rings and flinger shields or seals.
- Observe the tightening torques M_A for grub screws and adapter sleeve, see tables, page 32.

If the following sequence is observed, the bearing will align itself on the shaft in such a way that no undesirable stresses occur:

- ▶ Slide the housing unit onto the shaft and align it with the fixing holes in the adjacent construction, *Figure 8*.
- ▶ Tighten the fixing screws for all housings finger tight in the adjacent construction and align the shaft, *Figure 9*.
- ▶ Tighten both grub screws in the inner ring (for radial insert ball bearing UC) or the locknut of the adapter sleeve (for radial insert ball bearing UK) using a tightening torque (with an additional adapter if necessary) to the specified tightening torque, *Figure 10*, page 32.
- ▶ Locate the housings on the adjacent construction using the recommended tightening torque, see page 29.

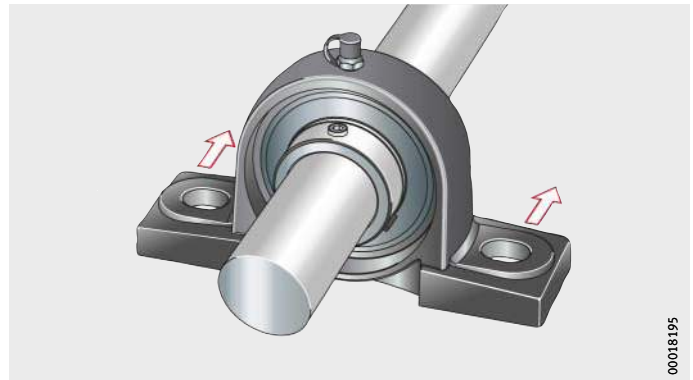


Figure 8
Sliding the unit onto the shaft

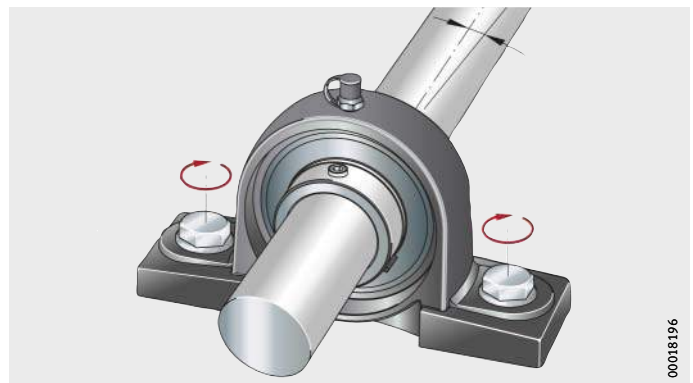


Figure 9
Screw mounting
the housing finger tight

Housing units

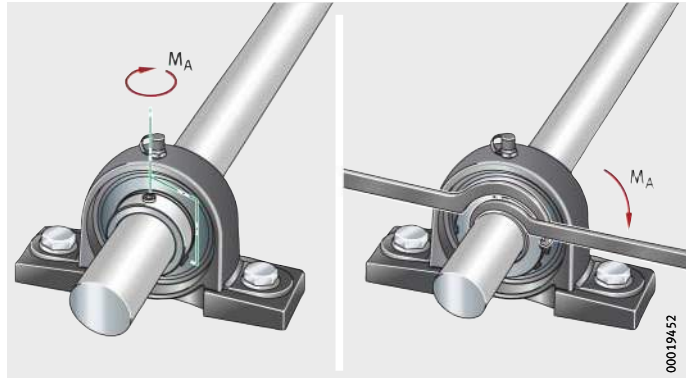


Figure 10
Fully tightening the grub screws or locknut in the inner ring

Tightening torques for grub screws

| Width across flats W | | Thread | | Tightening torques ¹⁾ M_A |
|-------------------------|------|----------|----------|---|
| mm | inch | ISO | UNF | Nm |
| 3 | 1/8 | M6×0,75 | 1/4"-28 | 6 |
| 4 | 5/32 | M8×1 | 5/16"-24 | 14 |
| 5 | 3/16 | M10×1,25 | 3/8"-24 | 26 |
| 6 | 1/4 | M12×1,5 | 1/2"-20 | 42 |

¹⁾ The tightening torques are valid for original FAG grub screws only.

Tightening torques for locknut

| Locknut | Tightening torques M_A Nm |
|---------|-----------------------------------|
| AN05 | 25 |
| AN06 | 30 |
| AN07 | 40 |
| AN08 | 50 |
| AN09 | 60 |
| AN10 | 75 |
| AN11 | 100 |
| AN12 | 130 |
| AN13 | 150 |
| AN15 | 170 |
| AN16 | 200 |
| AN17 | 230 |
| AN18 | 270 |

Dismounting

The units are dismantled in the reverse sequence.

- ▶ Loosen the grub screws in the inner ring or the locknut of the adapter sleeve.
- ▶ Unscrew the housing.

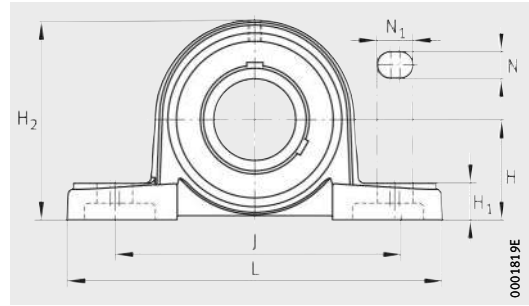
Accuracy The flake graphite cast iron housings conform to JIS B 1559.
Accuracy of fitted radial insert ball bearings: see page 13.

Dimensional tolerances The dimensional tolerances for the machined surfaces of the flake graphite cast iron housings are $\pm 0,25$ mm.
Dimensions without tolerance conform to JIS B 0403:

- unfinished dimensions to Table 1, class CT 10
- finished dimensions to Table 5.

Plummer block housing units

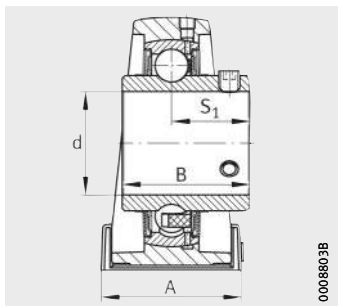
Flake graphite cast iron housing
with long base
With grub screws in inner ring



UCP

Dimension table · Dimensions in mm and *inch*

| Designation | Mass m ≈kg | Dimensions | | | | |
|-------------|------------------|------------|-------------|------|-----|-----|
| | | d | | H | L | J |
| | | mm | <i>inch</i> | | | |
| UCP201 | 0,64 | 12 | – | 30,2 | 127 | 95 |
| UCP201-08 | 0,64 | 12,7 | 1/2 | | | |
| UCP202-09 | 0,63 | 14,288 | 9/16 | | | |
| UCP202 | 0,62 | 15 | – | | | |
| UCP202-10 | 0,62 | 15,875 | 5/8 | | | |
| UCP203 | 0,61 | 17 | – | | | |
| UCP203-11 | 0,61 | 17,462 | 11/16 | | | |
| UCP204-12 | 0,66 | 19,05 | 3/4 | 33,3 | | |
| UCP204 | 0,65 | 20 | – | | | |
| UCP205-13 | 0,83 | 20,638 | 13/16 | | | |
| UCP205-14 | 0,82 | 22,225 | 7/8 | 36,5 | 140 | 105 |
| UCP205-15 | 0,81 | 23,812 | 15/16 | | | |
| UCP205 | 0,79 | 25 | – | | | |
| UCP205-16 | 0,79 | 25,4 | 1 | | | |
| UCP206-17 | 1,33 | 26,988 | 1 1/16 | 42,9 | 165 | 121 |
| UCP206-18 | 1,31 | 28,575 | 1 1/8 | | | |
| UCP206 | 1,29 | 30 | – | | | |
| UCP206-19 | 1,29 | 30,162 | 1 3/16 | | | |
| UCP206-20 | 1,27 | 31,75 | 1 1/4 | | | |
| UCP207-20 | 1,6 | 31,75 | 1 1/4 | 47,6 | 167 | 127 |
| UCP207-21 | 1,58 | 33,338 | 1 5/16 | | | |
| UCP207-22 | 1,55 | 34,925 | 1 3/8 | | | |
| UCP207 | 1,55 | 35 | – | | | |
| UCP207-23 | 1,52 | 36,512 | 1 7/16 | | | |
| UCP208-24 | 1,89 | 38,1 | 1 1/2 | 49,2 | 184 | 137 |
| UCP208-25 | 1,85 | 39,688 | 1 9/16 | | | |
| UCP208 | 1,84 | 40 | – | | | |
| UCP209-26 | 2,29 | 41,275 | 1 5/8 | 54 | 190 | 146 |
| UCP209-27 | 2,25 | 42,862 | 1 11/16 | | | |
| UCP209-28 | 2,21 | 44,45 | 1 3/4 | | | |
| UCP209 | 2,2 | 45 | – | | | |
| UCP210-29 | 2,89 | 46,038 | 1 13/16 | 57,2 | 206 | 159 |
| UCP210-30 | 2,85 | 47,625 | 1 7/8 | | | |
| UCP210-31 | 2,8 | 49,212 | 1 15/16 | | | |
| UCP210 | 2,77 | 50 | – | | | |
| UCP210-32 | 2,75 | 50,8 | 2 | | | |



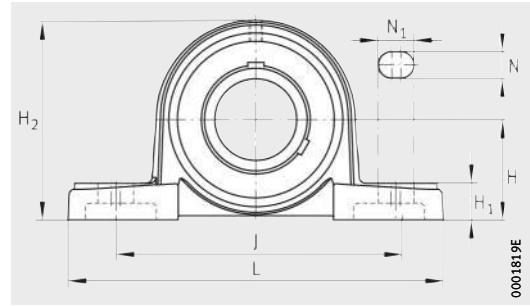
UCP

0008803B

| A | N ₁ | N | H ₁ | H ₂ | B | S ₁ | Housing | Radial insert ball bearing |
|----|----------------|----|----------------|----------------|------|----------------|---------|----------------------------|
| 38 | 19 | 13 | 14 | 62 | 31 | 18,3 | P203 | UC201 |
| | | | | | | | | UC201-08 |
| | | | | | | | | UC202-09 |
| | | | | | | | | UC202 |
| | | | | 65 | P204 | UC202-10 | | |
| | | | | | | UC203 | | |
| | | | | | | UC203-11 | | |
| | | | | | | UC204-12 | | |
| 38 | 19 | 13 | 15 | 71 | 34,1 | 19,8 | P205 | UC204 |
| | | | | | | | | UC205-13 |
| | | | | | | | | UC205-14 |
| | | | | | | | | UC205-15 |
| | | | | | | | | UC205-16 |
| 48 | 21 | 17 | 17 | 83 | 38,1 | 22,2 | P206 | UC205 |
| | | | | | | | | UC206-17 |
| | | | | | | | | UC206-18 |
| | | | | | | | | UC206-19 |
| | | | | | | | | UC206-20 |
| 48 | 21 | 17 | 18 | 93 | 42,9 | 25,4 | P207 | UC207-20 |
| | | | | | | | | UC207-21 |
| | | | | | | | | UC207-22 |
| | | | | | | | | UC207 |
| | | | | | | | | UC207-23 |
| 54 | 21 | 17 | 18 | 99 | 49,2 | 30,2 | P208 | UC208-24 |
| | | | | | | | | UC208-25 |
| | | | | | | | | UC208 |
| 54 | 21 | 17 | 20 | 106 | 49,2 | 30,2 | P209 | UC209-26 |
| | | | | | | | | UC209-27 |
| | | | | | | | | UC209-28 |
| | | | | | | | | UC209 |
| 60 | 25 | 20 | 21 | 114 | 51,6 | 32,6 | P210 | UC210-29 |
| | | | | | | | | UC210-30 |
| | | | | | | | | UC210-31 |
| | | | | | | | | UC210 |
| | | | | | | | | UC210-32 |

Plummer block housing units

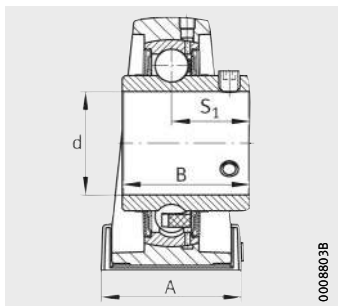
Flake graphite cast iron housing
with long base
With grub screws in inner ring



UCP

Dimension table (continued) - Dimensions in mm and *inch*

| Designation | Mass m ≈kg | Dimensions | | | | |
|-------------|------------------|---------------|--------------------|-------|-----|-----|
| | | d | | H | L | J |
| | | mm | <i>inch</i> | | | |
| UCP211-32 | 3,56 | 50,8 | 2 | 63,5 | 219 | 171 |
| UCP211-33 | 3,5 | 52,388 | 2 ^{1/16} | | | |
| UCP211-34 | 3,44 | 53,975 | 2 ^{1/8} | | | |
| UCP211 | 3,41 | 55 | – | | | |
| UCP211-35 | 3,39 | 55,562 | 2 ^{3/16} | | | |
| UCP212-36 | 4,75 | 57,15 | 2 ^{1/4} | 69,8 | 241 | 184 |
| UCP212-37 | 4,68 | 58,738 | 2 ^{5/16} | | | |
| UCP212 | 4,62 | 60 | – | | | |
| UCP212-38 | 4,6 | 60,325 | 2 ^{3/8} | | | |
| UCP212-39 | 4,53 | 61,912 | 2 ^{7/16} | | | |
| UCP213-40 | 5,63 | 63,5 | 2 ^{1/2} | 76,2 | 265 | 203 |
| UCP213 | 5,55 | 65 | – | | | |
| UCP213-41 | 5,55 | 65,087 | 2 ^{9/16} | | | |
| UCP214-42 | 6,29 | 66,675 | 2 ^{5/8} | 79,4 | 266 | 210 |
| UCP214-43 | 6,2 | 68,262 | 2 ^{11/16} | | | |
| UCP214-44 | 6,1 | 69,85 | 2 ^{3/4} | | | |
| UCP214 | 6,1 | 70 | – | | | |
| UCP215-45 | 6,9 | 71,438 | 2 ^{13/16} | 82,6 | 275 | 217 |
| UCP215-46 | 6,81 | 73,025 | 2 ^{7/8} | | | |
| UCP215-47 | 6,7 | 74,612 | 2 ^{15/16} | | | |
| UCP215 | 6,67 | 75 | – | | | |
| UCP215-48 | 6,58 | 76,2 | 3 | | | |
| UCP216-49 | 8,53 | 77,787 | 3 ^{1/16} | 88,9 | 292 | 232 |
| UCP216-50 | 8,4 | 79,375 | 3 ^{1/8} | | | |
| UCP216 | 8,4 | 80 | – | | | |
| UCP216-51 | 8,28 | 80,962 | 3 ^{3/16} | | | |
| UCP217-52 | 10,3 | 82,55 | 3 ^{1/4} | 95,2 | 310 | 247 |
| UCP217-53 | 10,17 | 84,137 | 3 ^{5/16} | | | |
| UCP217 | 10,1 | 85 | – | | | |
| UCP217-55 | 9,9 | 87,312 | 3 ^{7/16} | | | |
| UCP218-56 | 12,3 | 88,9 | 3 ^{1/2} | 101,6 | 327 | 262 |
| UCP218 | 12,2 | 90 | – | | | |



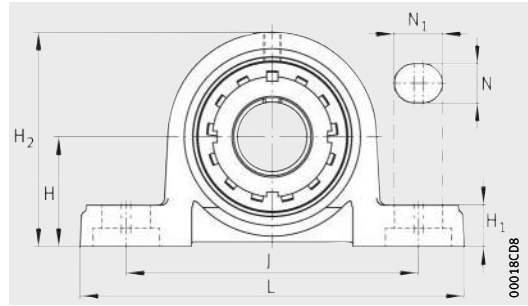
UCP

0008803B

| A | N ₁ | N | H ₁ | H ₂ | B | S ₁ | Housing | Radial insert ball bearing |
|----|----------------|----|----------------|----------------|------|----------------|---------|----------------------------|
| 60 | 25 | 20 | 23 | 126 | 55,6 | 33,4 | P211 | UC211-32 |
| | | | | | | | | UC211-33 |
| | | | | | | | | UC211-34 |
| | | | | | | | | UC211 |
| 70 | 25 | 20 | 25 | 138 | 65,1 | 39,7 | P212 | UC212-36 |
| | | | | | | | | UC212-37 |
| | | | | | | | | UC212 |
| | | | | | | | | UC212-38 |
| 70 | 29 | 25 | 27 | 151 | 65,1 | 39,7 | P213 | UC213-40 |
| | | | | | | | | UC213 |
| | | | | | | | | UC213-41 |
| 72 | 31 | 25 | 27 | 157 | 74,6 | 44,4 | P214 | UC214-42 |
| | | | | | | | | UC214-43 |
| | | | | | | | | UC214-44 |
| | | | | | | | | UC214 |
| 74 | 31 | 25 | 28 | 163 | 77,8 | 44,5 | P215 | UC215-45 |
| | | | | | | | | UC215-46 |
| | | | | | | | | UC215-47 |
| | | | | | | | | UC215 |
| 78 | 31 | 25 | 30 | 175 | 82,6 | 49,3 | P216 | UC216-49 |
| | | | | | | | | UC216-50 |
| | | | | | | | | UC216 |
| | | | | | | | | UC216-51 |
| 83 | 31 | 25 | 32 | 187 | 85,7 | 51,6 | P217 | UC217-52 |
| | | | | | | | | UC217-53 |
| | | | | | | | | UC217 |
| | | | | | | | | UC217-55 |
| 88 | 33 | 27 | 33 | 200 | 96 | 56,3 | P218 | UC218-56 |
| | | | | | | | | UC218 |

Plummer block housing units

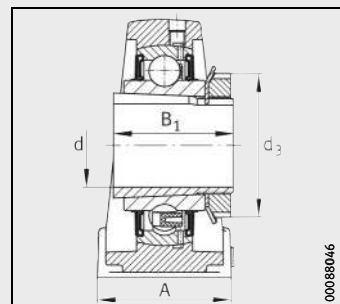
Flake graphite cast iron housing
with long base
With adapter sleeve



UKP

Dimension table · Dimensions in mm

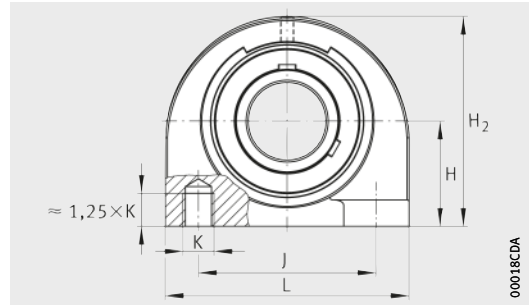
| Designation | Mass m ≈kg | Dimensions | | | | | | | | | | | Housing | Radial insert ball bearing |
|-------------|------------------|------------|-------|-----|-----|----|----------------|----|----------------|----------------|----------------|------------------------|---------|-------------------------------------|
| | | d | H | L | J | A | N ₁ | N | H ₁ | H ₂ | B ₁ | d ₃ max. | | |
| UKP205 | 0,84 | 20 | 36,5 | 140 | 105 | 38 | 19 | 13 | 15 | 71 | 35 | 38 | P205 | UK205 |
| UKP206 | 1,36 | 25 | 42,9 | 165 | 121 | 48 | 21 | 17 | 17 | 83 | 38 | 45 | P206 | UK206 |
| UKP207 | 1,63 | 30 | 47,6 | 167 | 127 | 48 | 21 | 17 | 18 | 93 | 43 | 52 | P207 | UK207 |
| UKP208 | 1,92 | 35 | 49,2 | 184 | 137 | 54 | 21 | 17 | 18 | 98 | 46 | 58 | P208 | UK208 |
| UKP209 | 2,33 | 40 | 54 | 190 | 146 | 54 | 21 | 17 | 20 | 106 | 50 | 65 | P209 | UK209 |
| UKP210 | 2,95 | 45 | 57,2 | 206 | 159 | 60 | 25 | 20 | 21 | 114 | 55 | 70 | P210 | UK210 |
| UKP211 | 3,58 | 50 | 63,5 | 219 | 171 | 60 | 25 | 20 | 23 | 126 | 59 | 75 | P211 | UK211 |
| UKP212 | 4,71 | 55 | 69,8 | 241 | 184 | 70 | 25 | 20 | 25 | 138 | 62 | 80 | P212 | UK212 |
| UKP213 | 5,71 | 60 | 76,2 | 265 | 203 | 70 | 29 | 25 | 27 | 151 | 65 | 85 | P213 | UK213 |
| UKP215 | 7,11 | 65 | 82,6 | 275 | 217 | 74 | 31 | 25 | 28 | 163 | 73 | 98 | P215 | UK215 |
| UKP216 | 8,86 | 70 | 88,9 | 292 | 232 | 78 | 31 | 25 | 30 | 175 | 78 | 105 | P216 | UK216 |
| UKP217 | 10,58 | 75 | 95,2 | 310 | 247 | 83 | 31 | 25 | 32 | 187 | 82 | 110 | P217 | UK217 |
| UKP218 | 12,71 | 80 | 101,6 | 327 | 262 | 88 | 33 | 27 | 33 | 200 | 86 | 120 | P218 | UK218 |



UKP

Plummer block housing units

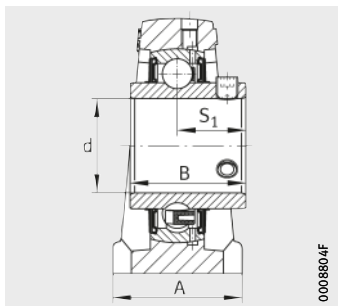
Flake graphite cast iron housing
with short base
With grub screws in inner ring



UCPA

Dimension table · Dimensions in mm and *inch*

| Designation | Mass m ≈kg | Dimensions | | H | A | H ₂ |
|-------------|------------------|------------|-------------|------|----|----------------|
| | | d | | | | |
| | | mm | <i>inch</i> | | | |
| UCPA201 | 0,65 | 12 | – | 30,2 | 38 | 62 |
| UCPA201-08 | 0,65 | 12,7 | 1/2 | | | |
| UCPA202-09 | 0,64 | 14,288 | 9/16 | | | |
| UCPA202 | 0,64 | 15 | 15 | | | |
| UCPA202-10 | 0,63 | 15,875 | 5/8 | | | |
| UCPA203 | 0,63 | 17 | – | | | |
| UCPA203-11 | 0,63 | 17,462 | 11/16 | | | |
| UCPA204-12 | 0,62 | 19,05 | 3/4 | | | |
| UCPA204 | 0,61 | 20 | – | 36,5 | 38 | 72 |
| UCPA205-13 | 0,87 | 20,638 | 13/16 | | | |
| UCPA205-14 | 0,86 | 22,225 | 7/8 | | | |
| UCPA205-15 | 0,84 | 23,812 | 15/16 | | | |
| UCPA205 | 0,83 | 25 | – | | | |
| UCPA205-16 | 0,83 | 25,4 | 1 | | | |
| UCPA206-17 | 1,26 | 26,988 | 1 1/16 | 42,9 | 48 | 84 |
| UCPA206-18 | 1,24 | 28,575 | 1 1/8 | | | |
| UCPA206 | 1,22 | 30 | – | | | |
| UCPA206-19 | 1,22 | 30,162 | 1 3/16 | | | |
| UCPA206-20 | 1,2 | 31,75 | 1 1/4 | | | |
| UCPA207-20 | 1,75 | 31,75 | 1 1/4 | 47,6 | 48 | 95 |
| UCPA207-21 | 1,73 | 33,338 | 1 5/16 | | | |
| UCPA207-22 | 1,7 | 34,925 | 1 3/8 | | | |
| UCPA207 | 1,7 | 35 | – | | | |
| UCPA207-23 | 1,67 | 36,512 | 1 7/16 | | | |
| UCPA208-24 | 1,96 | 38,1 | 1 1/2 | | | |
| UCPA208-25 | 1,92 | 39,688 | 1 9/16 | | | |
| UCPA208 | 1,91 | 40 | – | | | |
| UCPA209-26 | 2,28 | 41,275 | 1 5/8 | 54,2 | 54 | 108 |
| UCPA209-27 | 2,24 | 42,862 | 1 11/16 | | | |
| UCPA209-28 | 2,2 | 44,45 | 1 3/4 | | | |
| UCPA209 | 2,19 | 45 | – | | | |
| UCPA210-29 | 2,9 | 46,038 | 1 13/16 | 57,2 | 60 | 116 |
| UCPA210-30 | 2,85 | 47,625 | 1 7/8 | | | |
| UCPA210-31 | 2,8 | 49,212 | 1 15/16 | | | |
| UCPA210 | 2,78 | 50 | – | | | |
| UCPA210-32 | 2,76 | 50,8 | 2 | | | |

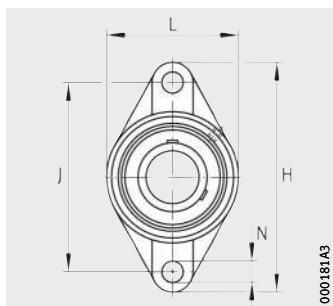


UCPA

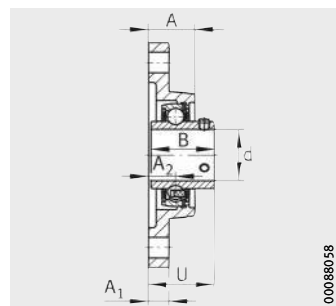
| | | | | | Housing | Radial insert ball bearing |
|-----|------|----|----------------|-----|---------|----------------------------|
| K | B | J | S ₁ | L | | |
| M10 | 31 | 52 | 18,3 | 76 | PA204 | UC201 |
| | | | | | | UC201-08 |
| | | | | | | UC202-09 |
| | | | | | | UC202 |
| | | | | | | UC202-10 |
| | | | | | | UC203 |
| | | | | | | UC203-11 |
| | | | | | | UC204-12 |
| M10 | 34,1 | 56 | 19,8 | 84 | PA205 | UC204 |
| | | | | | | UC205-13 |
| | | | | | | UC205-14 |
| | | | | | | UC205-15 |
| | | | | | | UC205-16 |
| M14 | 38,1 | 66 | 22,2 | 94 | PA206 | UC205 |
| | | | | | | UC206-17 |
| | | | | | | UC206-18 |
| | | | | | | UC206 |
| M14 | 42,9 | 80 | 25,4 | 110 | PA207 | UC206-19 |
| | | | | | | UC206-20 |
| | | | | | | UC207-20 |
| | | | | | | UC207-21 |
| M14 | 49,2 | 84 | 30,2 | 116 | PA208 | UC207-22 |
| | | | | | | UC207 |
| | | | | | | UC207-23 |
| M14 | 49,2 | 90 | 30,2 | 120 | PA209 | UC208-24 |
| | | | | | | UC208-25 |
| | | | | | | UC208 |
| | | | | | | UC209-26 |
| M16 | 51,6 | 94 | 32,6 | 130 | PA210 | UC209-27 |
| | | | | | | UC209-28 |
| | | | | | | UC209 |
| | | | | | | UC210-29 |
| | | | | | | UC210-30 |
| M16 | 51,6 | 94 | 32,6 | 130 | PA210 | UC210-31 |
| | | | | | | UC210 |
| | | | | | | UC210-32 |

Two-bolt flanged housing units

Oval version
With grub screws
in inner ring



UCFL



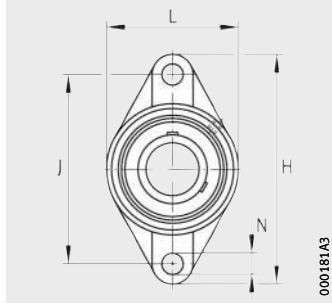
UCFL

Dimension table · Dimensions in mm and inch

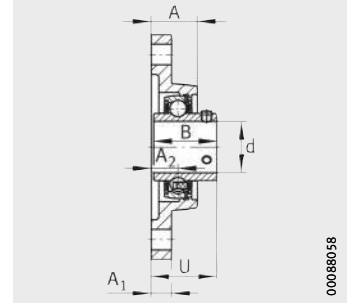
| Designation | Mass m ≈kg | Dimensions | | | | | | | | | | Housing | Radial insert ball bearing | |
|-------------|------------------|------------|---------|----------|-----|-----|------|----------------|----------------|----|------|---------|-------------------------------------|----------|
| | | d | | H | J | L | A | A ₁ | A ₂ | N | B | | | U |
| | | mm | inch | | | | | | | | | | | |
| UCFL201 | 0,47 | 12 | – | 113 | 90 | 60 | 25,5 | 12 | 15 | 12 | 31 | 33,3 | FL204 | UC201 |
| UCFL201-08 | 0,47 | 12,7 | 1/2 | | | | | | | | | | | UC201-08 |
| UCFL202-09 | 0,47 | 14,288 | 9/16 | | | | | | | | | | | UC202-09 |
| UCFL202 | 0,46 | 15 | – | | | | | | | | | | | UC202 |
| UCFL202-10 | 0,46 | 15,875 | 5/8 | | | | | | | | | | | UC202-10 |
| UCFL203 | 0,45 | 17 | – | | | | | | | | | | | UC203 |
| UCFL203-11 | 0,45 | 17,462 | 11/16 | | | | | | | | | | | UC203-11 |
| UCFL204-12 | 0,43 | 19,05 | 3/4 | | | | | | | | | | | UC204-12 |
| UCFL204 | 0,42 | 20 | – | | | | | | | | | | | UC204 |
| UCFL205-13 | 0,68 | 20,638 | 13/16 | 130 | 99 | 68 | 27 | 15 | 16 | 16 | 34,1 | 35,8 | FL205 | UC205-13 |
| UCFL205-14 | 0,67 | 22,225 | 7/8 | | | | | | | | | | | UC205-14 |
| UCFL205-15 | 0,65 | 23,812 | 15/16 | | | | | | | | | | | UC205-15 |
| UCFL205 | 0,64 | 25 | – | | | | | | | | | | | UC205 |
| UCFL205-16 | 0,64 | 25,4 | 1 | | | | | | | | | | | UC205-16 |
| UCFL206-17 | 0,92 | 26,988 | 1 1/16 | | | | | | | | | | | 148 |
| UCFL206-18 | 0,9 | 28,575 | 1 1/8 | UC206-18 | | | | | | | | | | |
| UCFL206 | 0,88 | 30 | – | UC206 | | | | | | | | | | |
| UCFL206-19 | 0,88 | 30,162 | 1 3/16 | UC206-19 | | | | | | | | | | |
| UCFL206-20 | 0,85 | 31,75 | 1 1/4 | UC206-20 | | | | | | | | | | |
| UCFL207-20 | 1,27 | 31,75 | 1 1/4 | 161 | 130 | 90 | 34 | 16 | 19 | 16 | 42,9 | 44,4 | FL207 | |
| UCFL207-21 | 1,24 | 33,338 | 1 5/16 | | | | | | | | | | | UC207-21 |
| UCFL207-22 | 1,21 | 34,925 | 1 3/8 | | | | | | | | | | | UC207-22 |
| UCFL207 | 1,21 | 35 | – | | | | | | | | | | | UC207 |
| UCFL207-23 | 1,18 | 36,512 | 1 7/16 | | | | | | | | | | | UC207-23 |
| UCFL208-24 | 1,53 | 38,1 | 1 1/2 | | | | | | | | | | | 175 |
| UCFL208-25 | 1,49 | 39,688 | 1 9/16 | UC208-25 | | | | | | | | | | |
| UCFL208 | 1,48 | 40 | – | UC208 | | | | | | | | | | |
| UCFL209-26 | 2,05 | 41,275 | 1 5/8 | 188 | 148 | 108 | 38 | 18 | 22 | 19 | 49,2 | 52,2 | FL209 | UC209-26 |
| UCFL209-27 | 2,01 | 42,862 | 1 11/16 | | | | | | | | | | | UC209-27 |
| UCFL209-28 | 1,97 | 44,45 | 1 3/4 | | | | | | | | | | | UC209-28 |
| UCFL209 | 1,95 | 45 | – | | | | | | | | | | | UC209 |

Two-bolt flanged housing units

Oval version
With grub screws
in inner ring



UCFL



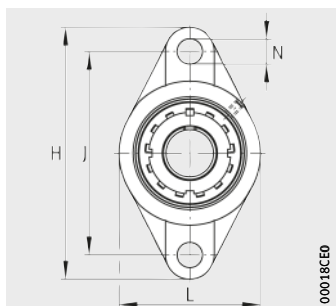
UCFL

Dimension table (continued) · Dimensions in mm and *inch*

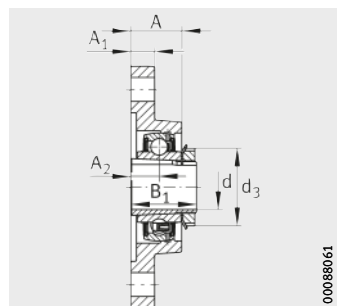
| Designation | Mass m ≈kg | Dimensions | | | | | | | | | | Housing | Radial insert ball bearing | |
|-------------|------------------|---------------|----------------|-------|-----|-----|----|----------------|----------------|----|------|---------|-------------------------------------|----------|
| | | d | | H | J | L | A | A ₁ | A ₂ | N | B | | | U |
| | | mm | <i>inch</i> | | | | | | | | | | | |
| UCFL210-29 | 2,34 | 46,038 | <i>1 13/16</i> | 197 | 157 | 115 | 40 | 18 | 22 | 19 | 51,6 | 54,6 | FL210 | UC210-29 |
| UCFL210-30 | 2,3 | 47,625 | <i>1 7/8</i> | | | | | | | | | | | UC210-30 |
| UCFL210-31 | 2,25 | 49,212 | <i>1 15/16</i> | | | | | | | | | | | UC210-31 |
| UCFL210 | 2,23 | 50 | – | | | | | | | | | | | UC210 |
| UCFL210-32 | 2,2 | 50,8 | <i>2</i> | 224 | 184 | 130 | 43 | 20 | 25 | 19 | 55,6 | 58,4 | FL211 | UC210-32 |
| UCFL211-32 | 3,02 | 50,8 | <i>2</i> | | | | | | | | | | | UC211-32 |
| UCFL211-33 | 2,96 | 52,388 | <i>2 1/16</i> | | | | | | | | | | | UC211-33 |
| UCFL211-34 | 2,91 | 53,975 | <i>2 1/8</i> | | | | | | | | | | | UC211-34 |
| UCFL211 | 2,87 | 55 | – | 250 | 202 | 140 | 48 | 20 | 29 | 23 | 65,1 | 68,7 | FL212 | UC211 |
| UCFL211-35 | 2,85 | 55,562 | <i>2 3/16</i> | | | | | | | | | | | UC211-35 |
| UCFL212-36 | 4,1 | 57,15 | <i>2 1/4</i> | | | | | | | | | | | UC212-36 |
| UCFL212-37 | 4,02 | 58,738 | <i>2 5/16</i> | | | | | | | | | | | UC212-37 |
| UCFL212 | 3,96 | 60 | – | 258 | 210 | 155 | 50 | 24 | 30 | 23 | 65,1 | 69,7 | FL213 | UC212 |
| UCFL212-38 | 3,95 | 60,325 | <i>2 3/8</i> | | | | | | | | | | | UC212-38 |
| UCFL212-39 | 3,87 | 61,912 | <i>2 7/16</i> | | | | | | | | | | | UC212-39 |
| UCFL213-40 | 4,76 | 63,5 | <i>2 1/2</i> | | | | | | | | | | | UC213-40 |
| UCFL213 | 4,69 | 65 | – | 265 | 216 | 160 | 54 | 24 | 31 | 23 | 74,6 | 75,4 | FL214 | UC213 |
| UCFL213-41 | 4,68 | 65,087 | <i>2 9/16</i> | | | | | | | | | | | UC213-41 |
| UCFL214-42 | 5,44 | 66,675 | <i>2 5/8</i> | | | | | | | | | | | UC214-42 |
| UCFL214-43 | 5,34 | 68,262 | <i>2 11/16</i> | | | | | | | | | | | UC214-43 |
| UCFL214-44 | 5,24 | 69,85 | <i>2 3/4</i> | 275 | 225 | 165 | 56 | 24 | 34 | 23 | 77,8 | 78,5 | FL215 | UC214-44 |
| UCFL214 | 5,23 | 70 | – | | | | | | | | | | | UC214 |
| UCFL215-45 | 5,94 | 71,438 | <i>2 13/16</i> | | | | | | | | | | | UC215-45 |
| UCFL215-46 | 5,83 | 73,025 | <i>2 7/8</i> | | | | | | | | | | | UC215-46 |
| UCFL215-47 | 5,72 | 74,612 | <i>2 15/16</i> | 290 | 233 | 180 | 58 | 24 | 34 | 25 | 82,6 | 83,3 | FL216 | UC215-47 |
| UCFL215 | 5,69 | 75 | – | | | | | | | | | | | UC215 |
| UCFL215-48 | 5,61 | 76,2 | <i>3</i> | | | | | | | | | | | UC215-48 |
| UCFL216-49 | 7,4 | 77,787 | <i>3 1/16</i> | | | | | | | | | | | UC216-49 |
| UCFL216-50 | 7,28 | 79,375 | <i>3 1/8</i> | 305 | 248 | 190 | 63 | 26 | 36 | 25 | 85,7 | 87,6 | FL217 | UC216-50 |
| UCFL216 | 7,23 | 80 | – | | | | | | | | | | | UC216 |
| UCFL216-51 | 7,15 | 80,962 | <i>3 3/16</i> | | | | | | | | | | | UC216-51 |
| UCFL217-52 | 8,74 | 82,55 | <i>3 1/4</i> | | | | | | | | | | | UC217-52 |
| UCFL217-53 | 8,61 | 84,137 | <i>3 5/16</i> | 320 | 265 | 205 | 68 | 26 | 40 | 25 | 96 | 96,3 | FL218 | UC217-53 |
| UCFL217 | 8,6 | 85 | – | | | | | | | | | | | UC217 |
| UCFL217-55 | 8,32 | 87,312 | <i>3 7/16</i> | | | | | | | | | | | UC217-55 |
| UCFL218-56 | 10,5 | 88,9 | <i>3 1/2</i> | | | | | | | | | | | UC218-56 |
| UCFL218 | 10,39 | 90 | – | UC218 | | | | | | | | | | |

Two-bolt flanged housing units

Oval version
With adapter sleeve



UKFL



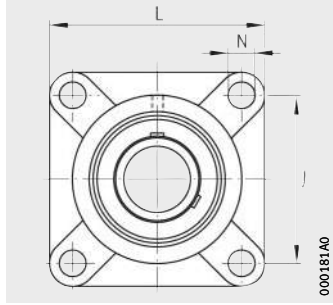
UKFL

Dimension table · Dimensions in mm

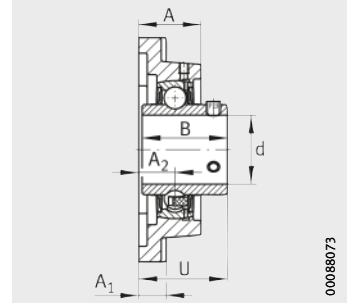
| Designation | Mass m ≈kg | Dimensions | | | | | | | | | | Housing | Radial insert ball bearing |
|-------------|------------------|------------|-----|-----|-----|----|----------------|----------------|----|----------------|------------------------|---------|-------------------------------------|
| | | d | H | J | L | A | A ₁ | A ₂ | N | B ₁ | d ₃ max. | | |
| UKFL205 | 0,69 | 20 | 130 | 99 | 68 | 27 | 15 | 16 | 16 | 35 | 38 | FL205 | UK205 |
| UKFL206 | 0,94 | 25 | 148 | 117 | 80 | 31 | 14 | 18 | 16 | 38 | 45 | FL206 | UK206 |
| UKFL207 | 1,29 | 30 | 161 | 130 | 90 | 34 | 16 | 19 | 16 | 43 | 52 | FL207 | UK207 |
| UKFL208 | 1,56 | 35 | 175 | 144 | 100 | 36 | 16 | 21 | 16 | 46 | 58 | FL208 | UK208 |
| UKFL209 | 2,08 | 40 | 188 | 148 | 108 | 38 | 18 | 22 | 19 | 50 | 65 | FL209 | UK209 |
| UKFL210 | 2,4 | 45 | 197 | 157 | 115 | 40 | 18 | 22 | 19 | 55 | 70 | FL210 | UK210 |
| UKFL211 | 3,04 | 50 | 224 | 184 | 130 | 43 | 20 | 25 | 19 | 59 | 75 | FL211 | UK211 |
| UKFL212 | 4,05 | 55 | 250 | 202 | 140 | 48 | 20 | 29 | 23 | 62 | 80 | FL212 | UK212 |
| UKFL213 | 4,84 | 60 | 258 | 210 | 155 | 50 | 24 | 30 | 23 | 65 | 85 | FL213 | UK213 |
| UKFL215 | 6,17 | 65 | 275 | 225 | 165 | 56 | 24 | 34 | 23 | 73 | 98 | FL215 | UK215 |
| UKFL216 | 7,74 | 70 | 290 | 233 | 180 | 58 | 24 | 34 | 25 | 78 | 105 | FL216 | UK216 |
| UKFL217 | 9,08 | 75 | 305 | 248 | 190 | 63 | 26 | 36 | 25 | 82 | 110 | FL217 | UK217 |
| UKFL218 | 10,9 | 80 | 320 | 265 | 205 | 68 | 26 | 40 | 25 | 86 | 120 | FL218 | UK218 |

Four-bolt flanged housing units

Square version
With grub screws
in inner ring



UCF



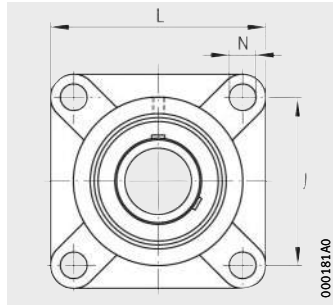
UCF

Dimension table - Dimensions in mm and inch

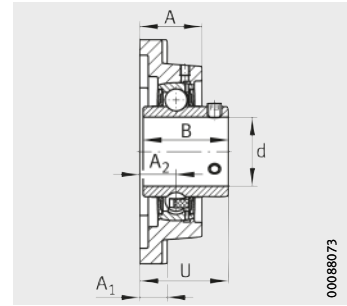
| Designation | Mass m ≈kg | Dimensions | | | | | | | | | | Housing | Radial insert ball bearing |
|-------------|------------------|------------|---------|----------|-----|------|----------------|----------------|----|------|------|---------|----------------------------|
| | | d | | J | L | A | A ₁ | A ₂ | N | B | U | | |
| | | mm | inch | | | | | | | | | | |
| UCF201 | 0,62 | 12 | – | 64 | 86 | 25,5 | 12 | 15 | 12 | 31 | 33,3 | F204 | UC201 |
| UCF201-08 | 0,62 | 12,7 | 1/2 | | | | | | | | | | UC201-08 |
| UCF202-09 | 0,61 | 14,288 | 9/16 | | | | | | | | | | UC202-09 |
| UCF202 | 0,6 | 15 | – | | | | | | | | | | UC202 |
| UCF202-10 | 0,6 | 15,875 | 5/8 | | | | | | | | | | UC202-10 |
| UCF203 | 0,59 | 17 | – | | | | | | | | | | UC203 |
| UCF203-11 | 0,59 | 17,462 | 11/16 | | | | | | | | | | UC203-11 |
| UCF204-12 | 0,58 | 19,05 | 3/4 | UC204-12 | | | | | | | | | |
| UCF204 | 0,57 | 20 | – | UC204 | | | | | | | | | |
| UCF205-13 | 0,89 | 20,638 | 13/16 | 70 | 95 | 27 | 14 | 16 | 12 | 34,1 | 35,8 | F205 | UC205-13 |
| UCF205-14 | 0,87 | 22,225 | 7/8 | | | | | | | | | | UC205-14 |
| UCF205-15 | 0,86 | 23,812 | 15/16 | | | | | | | | | | UC205-15 |
| UCF205 | 0,85 | 25 | – | | | | | | | | | | UC205 |
| UCF205-16 | 0,84 | 25,4 | 1 | | | | | | | | | | UC205-16 |
| UCF206-17 | 1,15 | 26,988 | 1 1/16 | 83 | 108 | 31 | 14 | 18 | 12 | 38,1 | 40,2 | F206 | UC206-17 |
| UCF206-18 | 1,13 | 28,575 | 1 1/8 | | | | | | | | | | UC206-18 |
| UCF206 | 1,11 | 30 | – | | | | | | | | | | UC206 |
| UCF206-19 | 1,11 | 30,162 | 1 3/16 | | | | | | | | | | UC206-19 |
| UCF206-20 | 1,09 | 31,75 | 1 1/4 | | | | | | | | | | UC206-20 |
| UCF207-20 | 1,55 | 31,75 | 1 1/4 | 92 | 117 | 34 | 16 | 19 | 14 | 42,9 | 44,4 | F207 | UC207-20 |
| UCF207-21 | 1,53 | 33,338 | 1 5/16 | | | | | | | | | | UC207-21 |
| UCF207-22 | 1,5 | 34,925 | 1 3/8 | | | | | | | | | | UC207-22 |
| UCF207 | 1,5 | 35 | – | | | | | | | | | | UC207 |
| UCF207-23 | 1,47 | 36,512 | 1 7/16 | | | | | | | | | | UC207-23 |
| UCF208-24 | 1,95 | 38,1 | 1 1/2 | 102 | 130 | 36 | 16 | 21 | 16 | 49,2 | 51,2 | F208 | UC208-24 |
| UCF208-25 | 1,92 | 39,688 | 1 9/16 | | | | | | | | | | UC208-25 |
| UCF208 | 1,91 | 40 | – | | | | | | | | | | UC208 |
| UCF209-26 | 2,4 | 41,275 | 1 5/8 | 105 | 137 | 38 | 18 | 22 | 16 | 49,2 | 52,2 | F209 | UC209-26 |
| UCF209-27 | 2,36 | 42,862 | 1 11/16 | | | | | | | | | | UC209-27 |
| UCF209-28 | 2,32 | 44,45 | 1 3/4 | | | | | | | | | | UC209-28 |
| UCF209 | 2,3 | 45 | – | | | | | | | | | | UC209 |
| UCF210-29 | 2,67 | 46,038 | 1 13/16 | 111 | 143 | 40 | 18 | 22 | 16 | 51,6 | 54,6 | F210 | UC210-29 |
| UCF210-30 | 2,63 | 47,625 | 1 7/8 | | | | | | | | | | UC210-30 |
| UCF210-31 | 2,58 | 49,212 | 1 15/16 | | | | | | | | | | UC210-31 |
| UCF210 | 2,56 | 50 | – | | | | | | | | | | UC210 |
| UCF210-32 | 2,53 | 50,8 | 2 | | | | | | | | | | UC210-32 |

Four-bolt flanged housing units

Square version
With grub screws
in inner ring



UCF



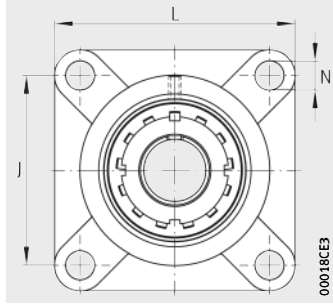
UCF

Dimension table (continued) - Dimensions in mm and inch

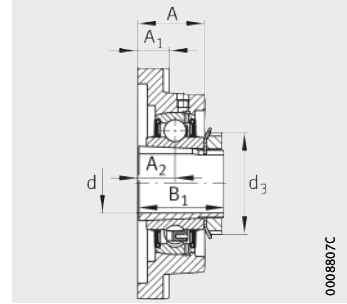
| Designation | Mass m ≈kg | Dimensions | | | | | | | | | | Housing | Radial insert ball bearing | | | | | | | | | |
|-------------|------------------|------------|--------------------|----------|-----|----|----------------|----------------|----|------|------|---------|-------------------------------|-----|----|----|----|----|------|------|------|----------|
| | | d | | J | L | A | A ₁ | A ₂ | N | B | U | | | | | | | | | | | |
| | | mm | inch | | | | | | | | | | | | | | | | | | | |
| UCF211-32 | 3,46 | 50,8 | 2 | 130 | 163 | 43 | 20 | 25 | 19 | 55,6 | 58,4 | F211 | UC211-32 | | | | | | | | | |
| UCF211-33 | 3,4 | 52,388 | 2 ^{1/16} | | | | | | | | | | UC211-33 | | | | | | | | | |
| UCF211-34 | 3,35 | 53,975 | 2 ^{1/16} | | | | | | | | | | UC211-34 | | | | | | | | | |
| UCF211 | 3,31 | 55 | – | | | | | | | | | | UC211 | | | | | | | | | |
| UCF211-35 | 3,29 | 55,562 | 2 ^{3/16} | | | | | | | | | | UC211-35 | | | | | | | | | |
| UCF212-36 | 4,38 | 57,15 | 2 ^{1/4} | 143 | 175 | 48 | 20 | 29 | 19 | 65,1 | 68,7 | F212 | UC212-36 | | | | | | | | | |
| UCF212-37 | 4,31 | 58,738 | 2 ^{5/16} | | | | | | | | | | UC212-37 | | | | | | | | | |
| UCF212 | 4,25 | 60 | – | | | | | | | | | | UC212 | | | | | | | | | |
| UCF212-38 | 4,23 | 60,325 | 2 ^{3/8} | | | | | | | | | | UC212-38 | | | | | | | | | |
| UCF212-39 | 4,15 | 61,912 | 2 ^{7/16} | | | | | | | | | | UC212-39 | | | | | | | | | |
| UCF213-40 | 4,98 | 63,5 | 2 ^{1/2} | 149 | 187 | 50 | 20 | 30 | 19 | 65,1 | 69,7 | F213 | UC213-40 | | | | | | | | | |
| UCF213 | 4,9 | 65 | – | | | | | | | | | | UC213 | | | | | | | | | |
| UCF213-41 | 4,9 | 65,087 | 2 ^{9/16} | | | | | | | | | | UC213-41 | | | | | | | | | |
| UCF214-42 | 6,19 | 66,675 | 2 ^{5/8} | | | | | | | | | | 152 | 193 | 54 | 24 | 31 | 19 | 74,6 | 75,4 | F214 | UC214-42 |
| UCF214-43 | 6,09 | 68,262 | 2 ^{11/16} | | | | | | | | | | | | | | | | | | | UC214-43 |
| UCF214-44 | 6 | 69,85 | 2 ^{3/16} | UC214-44 | | | | | | | | | | | | | | | | | | |
| UCF214 | 5,99 | 70 | – | UC214 | | | | | | | | | | | | | | | | | | |
| UCF215-45 | 6,9 | 71,438 | 2 ^{1/16} | 159 | 200 | 56 | 24 | 34 | 19 | 77,8 | 78,5 | F215 | | | | | | | | | | UC215-45 |
| UCF215-46 | 6,8 | 73,025 | 2 ^{7/16} | | | | | | | | | | UC215-46 | | | | | | | | | |
| UCF215-47 | 6,7 | 74,612 | 2 ^{15/16} | | | | | | | | | | UC215-47 | | | | | | | | | |
| UCF215 | 6,6 | 75 | – | | | | | | | | | | UC215 | | | | | | | | | |
| UCF215-48 | 6,6 | 76,2 | 3 | | | | | | | | | | UC215-48 | | | | | | | | | |
| UCF216-49 | 7,6 | 77,787 | 3 ^{1/16} | 165 | 208 | 58 | 24 | 34 | 23 | 82,6 | 83,3 | F216 | UC216-49 | | | | | | | | | |
| UCF216-50 | 7,4 | 79,375 | 3 ^{1/8} | | | | | | | | | | UC216-50 | | | | | | | | | |
| UCF216 | 7,4 | 80 | – | | | | | | | | | | UC216 | | | | | | | | | |
| UCF216-51 | 7,3 | 80,962 | 3 ^{3/16} | | | | | | | | | | UC216-51 | | | | | | | | | |
| UCF217-52 | 9,2 | 82,55 | 3 ^{1/4} | | | | | | | | | | 175 | 220 | 63 | 26 | 36 | 23 | 85,7 | 87,6 | F217 | UC217-52 |
| UCF217-53 | 9 | 84,137 | 3 ^{5/16} | UC217-53 | | | | | | | | | | | | | | | | | | |
| UCF217 | 9 | 85 | – | UC217 | | | | | | | | | | | | | | | | | | |
| UCF217-55 | 8,8 | 87,312 | 3 ^{7/16} | UC217-55 | | | | | | | | | | | | | | | | | | |
| UCF218-56 | 10,8 | 88,9 | 3 ^{1/2} | 187 | 235 | 68 | 26 | 40 | 23 | 96 | 96,3 | F218 | | | | | | | | | | UC218-56 |
| UCF218 | 10,7 | 90 | – | | | | | | | | | | UC218 | | | | | | | | | |

Four-bolt flanged housing units

Square version
With adapter sleeve



UKF



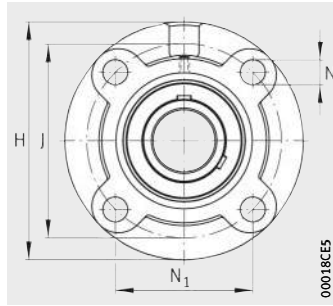
UKF

Dimension table - Dimensions in mm

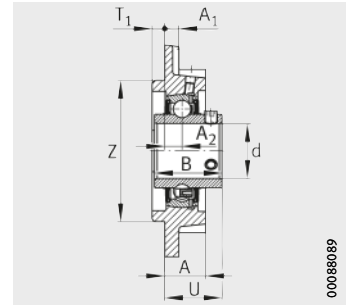
| Designation | Mass m ≈kg | Dimensions | | | | | | | | | | Housing | Radial insert ball bearing |
|---------------|------------------|------------|-----|-----|----|----------------|----------------|----|----------------|------------------------|------|---------|-------------------------------|
| | | d | J | L | A | A ₁ | A ₂ | N | B ₁ | d ₃ max. | | | |
| UKF205 | 0,9 | 20 | 70 | 95 | 27 | 14 | 16 | 12 | 35 | 38 | F205 | UK205 | |
| UKF206 | 1,18 | 25 | 83 | 108 | 31 | 14 | 18 | 12 | 38 | 45 | F206 | UK206 | |
| UKF207 | 1,58 | 30 | 92 | 117 | 34 | 16 | 19 | 14 | 43 | 52 | F207 | UK207 | |
| UKF208 | 1,99 | 35 | 102 | 130 | 36 | 16 | 21 | 16 | 46 | 58 | F208 | UK208 | |
| UKF209 | 2,44 | 40 | 105 | 137 | 38 | 18 | 22 | 16 | 50 | 65 | F209 | UK209 | |
| UKF210 | 2,73 | 45 | 111 | 143 | 40 | 18 | 22 | 16 | 55 | 70 | F210 | UK210 | |
| UKF211 | 3,48 | 50 | 130 | 163 | 43 | 20 | 25 | 19 | 59 | 75 | F211 | UK211 | |
| UKF212 | 4,34 | 55 | 143 | 175 | 48 | 20 | 29 | 19 | 62 | 80 | F212 | UK212 | |
| UKF213 | 5,06 | 60 | 149 | 187 | 50 | 20 | 30 | 19 | 65 | 85 | F213 | UK213 | |
| UKF215 | 7,12 | 65 | 159 | 200 | 56 | 24 | 34 | 19 | 73 | 98 | F215 | UK215 | |
| UKF216 | 7,9 | 70 | 165 | 208 | 58 | 24 | 34 | 23 | 78 | 105 | F216 | UK216 | |
| UKF217 | 9,51 | 75 | 175 | 220 | 63 | 26 | 36 | 23 | 82 | 110 | F217 | UK217 | |
| UKF218 | 11,16 | 80 | 187 | 235 | 68 | 26 | 40 | 23 | 86 | 120 | F218 | UK218 | |

Four-bolt flanged housing units

Round version
With grub screws
in inner ring



UCFC



UCFC

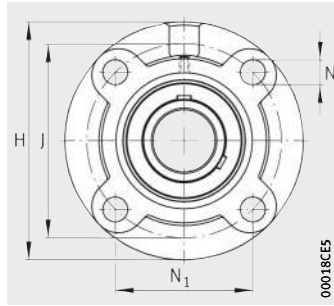
Dimension table · Dimensions in mm and *inch*

| Designation | Mass m ≈kg | Dimensions | | H | J | N ₁ |
|-------------|------------------|------------|-------------|-----|-----|----------------|
| | | d | | | | |
| | | mm | <i>inch</i> | | | |
| UCFC201 | 0,77 | 12 | – | 100 | 78 | 55,1 |
| UCFC201-08 | 0,77 | 12,7 | 1/2 | | | |
| UCFC202-09 | 0,76 | 14,288 | 9/16 | | | |
| UCFC202 | 0,76 | 15 | – | | | |
| UCFC202-10 | 0,75 | 15,875 | 5/8 | | | |
| UCFC203 | 0,74 | 17 | – | | | |
| UCFC203-11 | 0,74 | 17,462 | 11/16 | | | |
| UCFC204-12 | 0,73 | 19,05 | 3/4 | | | |
| UCFC204 | 0,72 | 20 | – | 115 | 90 | 63,6 |
| UCFC205-13 | 0,98 | 20,638 | 13/16 | | | |
| UCFC205-14 | 0,97 | 22,225 | 7/8 | | | |
| UCFC205-15 | 0,95 | 23,812 | 15/16 | | | |
| UCFC205 | 0,94 | 25 | – | | | |
| UCFC205-16 | 0,94 | 25,4 | 1 | | | |
| UCFC206-17 | 1,29 | 26,988 | 11/16 | 125 | 100 | 70,7 |
| UCFC206-18 | 1,27 | 28,575 | 11/8 | | | |
| UCFC206 | 1,25 | 30 | – | | | |
| UCFC206-19 | 1,25 | 30,162 | 13/16 | | | |
| UCFC206-20 | 1,23 | 31,75 | 11/4 | | | |
| UCFC207-20 | 1,76 | 31,75 | 11/4 | 135 | 110 | 77,8 |
| UCFC207-21 | 1,73 | 33,338 | 15/16 | | | |
| UCFC207-22 | 1,7 | 34,925 | 13/8 | | | |
| UCFC207 | 1,7 | 35 | – | | | |
| UCFC207-23 | 1,67 | 36,512 | 17/16 | | | |
| UCFC208-24 | 2,08 | 38,1 | 11/2 | 145 | 120 | 84,8 |
| UCFC208-25 | 2,04 | 39,688 | 19/16 | | | |
| UCFC208 | 2,03 | 40 | – | | | |
| UCFC209-26 | 2,78 | 41,275 | 15/8 | 160 | 132 | 93,3 |
| UCFC209-27 | 2,74 | 42,862 | 111/16 | | | |
| UCFC209-28 | 2,7 | 44,45 | 13/4 | | | |
| UCFC209 | 2,69 | 45 | – | | | |
| UCFC210-29 | 3,08 | 46,038 | 113/16 | | | |
| UCFC210-30 | 3,03 | 47,625 | 17/8 | 165 | 138 | 97,6 |
| UCFC210-31 | 2,98 | 49,212 | 115/16 | | | |
| UCFC210 | 2,96 | 50 | – | | | |
| UCFC210-32 | 2,94 | 50,8 | 2 | | | |

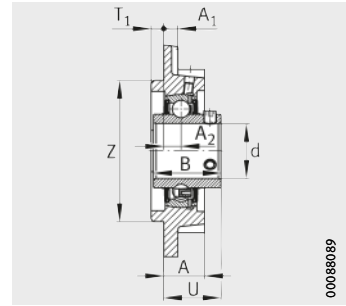
| | | | | | | | | Housing | Radial insert ball bearing |
|-------|----------------|----------------|----|---------|----------------|------|------|---------|----------------------------|
| A | A ₁ | A ₂ | N | Z h8 | T ₁ | B | U | | |
| 20,5 | 8 | 10 | 12 | 62 | 5 | 31 | 28,3 | FC204 | UC201 |
| | | | | | | | | | UC201-08 |
| | | | | | | | | | UC202-09 |
| | | | | | | | | | UC202 |
| | | | | | | | | | UC202-10 |
| | | | | | | | | | UC203 |
| | | | | | | | | | UC203-11 |
| | | | | | | | | | UC204-12 |
| UC204 | | | | | | | | | |
| 21 | 7 | 10 | 12 | 70 | 6 | 34,1 | 29,8 | FC205 | UC205-13 |
| | | | | | | | | | UC205-14 |
| | | | | | | | | | UC205-15 |
| | | | | | | | | | UC205 |
| | | | | | | | | | UC205-16 |
| 23 | 8 | 10 | 12 | 80 | 8 | 38,1 | 32,2 | FC206 | UC206-17 |
| | | | | | | | | | UC206-18 |
| | | | | | | | | | UC206 |
| | | | | | | | | | UC206-19 |
| | | | | | | | | | UC206-20 |
| 26 | 9 | 11 | 14 | 90 | 8 | 42,9 | 36,4 | FC207 | UC207-20 |
| | | | | | | | | | UC207-21 |
| | | | | | | | | | UC207-22 |
| | | | | | | | | | UC207 |
| | | | | | | | | | UC207-23 |
| 26 | 9 | 11 | 14 | 100 | 10 | 49,2 | 41,2 | FC208 | UC208-24 |
| | | | | | | | | | UC208-25 |
| | | | | | | | | | UC208 |
| 26 | 14 | 10 | 16 | 105 | 12 | 49,2 | 40,2 | FC209 | UC209-26 |
| | | | | | | | | | UC209-27 |
| | | | | | | | | | UC209-28 |
| | | | | | | | | | UC209 |
| 28 | 14 | 10 | 16 | 110 | 12 | 51,6 | 42,6 | FC210 | UC210-29 |
| | | | | | | | | | UC210-30 |
| | | | | | | | | | UC210-31 |
| | | | | | | | | | UC210 |
| | | | | | | | | | UC210-32 |

Four-bolt flanged housing units

Round version
With grub screws
in inner ring



UCFC



UCFC

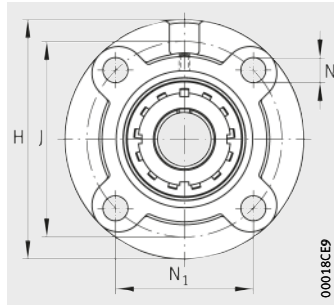
Dimension table (continued) - Dimensions in mm and *inch*

| Designation | Mass m ≈kg | Dimensions | | | | |
|-------------|------------------|---------------|--------------------|-----|-----|----------------|
| | | d | | H | J | N ₁ |
| | | mm | <i>inch</i> | | | |
| UCFC211-32 | 4,13 | 50,8 | 2 | 185 | 150 | 106,1 |
| UCFC211-33 | 4,07 | 52,388 | 2 ^{1/16} | | | |
| UCFC211-34 | 4,02 | 53,975 | 2 ^{1/8} | | | |
| UCFC211 | 3,98 | 55 | - | | | |
| UCFC211-35 | 3,96 | 55,562 | 2 ^{3/16} | 195 | 160 | 113,1 |
| UCFC212-36 | 5 | 57,15 | 2 ^{1/4} | | | |
| UCFC212-37 | 4,92 | 58,738 | 2 ^{5/16} | | | |
| UCFC212 | 4,86 | 60 | - | | | |
| UCFC212-38 | 4,85 | 60,325 | 2 ^{3/8} | 205 | 170 | 120,2 |
| UCFC212-39 | 4,77 | 61,912 | 2 ^{7/16} | | | |
| UCFC213-40 | 5,55 | 63,5 | 2 ^{1/12} | | | |
| UCFC213 | 5,47 | 65 | - | | | |
| UCFC213-41 | 5,47 | 65,087 | 2 ^{9/16} | 215 | 177 | 125,15 |
| UCFC214-42 | 6,84 | 66,675 | 2 ^{5/8} | | | |
| UCFC214-43 | 6,74 | 68,262 | 2 ^{11/16} | | | |
| UCFC214-44 | 6,64 | 69,85 | 2 ^{3/4} | | | |
| UCFC214 | 6,63 | 70 | - | 220 | 184 | 130,1 |
| UCFC215-45 | 7,46 | 71,438 | 2 ^{13/16} | | | |
| UCFC215-46 | 7,35 | 73,025 | 2 ^{7/8} | | | |
| UCFC215-47 | 7,24 | 74,612 | 2 ^{15/16} | | | |
| UCFC215 | 7,21 | 75 | - | 240 | 200 | 141,4 |
| UCFC215-48 | 7,13 | 76,2 | 3 | | | |
| UCFC216-49 | 8,95 | 77,787 | 2 ^{1/16} | | | |
| UCFC216-50 | 8,82 | 79,375 | 2 ^{1/8} | | | |
| UCFC216 | 8,77 | 80 | - | 250 | 208 | 147,1 |
| UCFC216-51 | 8,69 | 80,962 | 2 ^{3/16} | | | |
| UCFC217-52 | 10,51 | 82,55 | 2 ^{1/4} | | | |
| UCFC217-53 | 10,37 | 84,137 | 2 ^{5/16} | | | |
| UCFC217 | 10,37 | 85 | - | 265 | 220 | 155,55 |
| UCFC217-55 | 10,09 | 87,312 | 2 ^{7/16} | | | |
| UCFC218-56 | 12,33 | 88,9 | 2 ^{1/2} | | | |
| UCFC218 | 12,21 | 90 | - | | | |

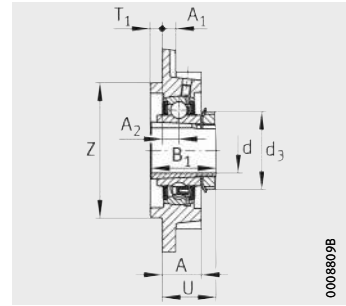
| | | | | | | | | Housing | Radial insert ball bearing |
|----|----------------|----------------|----|---------|----------------|------|------|---------|----------------------------|
| A | A ₁ | A ₂ | N | Z h8 | T ₁ | B | U | | |
| 31 | 15 | 13 | 19 | 125 | 12 | 55,6 | 46,4 | FC211 | UC211-32 |
| | | | | | | | | | UC211-33 |
| | | | | | | | | | UC211-34 |
| | | | | | | | | | UC211 |
| | | | | | | | | | UC211-35 |
| 36 | 15 | 17 | 19 | 135 | 12 | 65,1 | 56,7 | FC212 | UC212-36 |
| | | | | | | | | | UC212-37 |
| | | | | | | | | | UC212 |
| | | | | | | | | | UC212-38 |
| | | | | | | | | | UC212-39 |
| 36 | 15 | 16 | 19 | 145 | 14 | 65,1 | 55,7 | FC213 | UC213-40 |
| | | | | | | | | | UC213 |
| | | | | | | | | | UC213-41 |
| 40 | 18 | 17 | 19 | 150 | 14 | 74,6 | 61,4 | FC214 | UC214-42 |
| | | | | | | | | | UC214-43 |
| | | | | | | | | | UC214-44 |
| | | | | | | | | | UC214 |
| 40 | 18 | 18 | 19 | 160 | 16 | 77,8 | 62,5 | FC215 | UC215-45 |
| | | | | | | | | | UC215-46 |
| | | | | | | | | | UC215-47 |
| | | | | | | | | | UC215 |
| | | | | | | | | | UC215-48 |
| 42 | 18 | 18 | 23 | 170 | 16 | 82,6 | 67,3 | FC216 | UC216-49 |
| | | | | | | | | | UC216-50 |
| | | | | | | | | | UC216 |
| | | | | | | | | | UC216-51 |
| 45 | 20 | 18 | 23 | 180 | 18 | 85,7 | 69,6 | FC217 | UC217-52 |
| | | | | | | | | | UC217-53 |
| | | | | | | | | | UC217 |
| | | | | | | | | | UC217-55 |
| 50 | 20 | 22 | 23 | 190 | 18 | 96 | 78,3 | FC218 | UC218-56 |
| | | | | | | | | | UC218 |

Four-bolt flanged housing units

Round version
With adapter sleeve



UKFC



UKFC

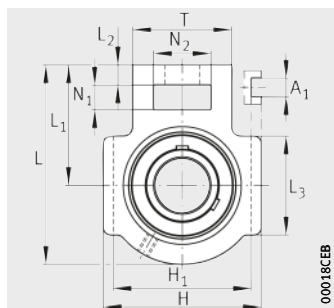
Dimension table · Dimensions in mm

| Designation | Mass m ≈ kg | Dimensions | | | | | |
|----------------|-------------------|------------|-----|-----|----------------|----|----------------|
| | | d | H | J | N ₁ | A | A ₁ |
| UKFC205 | 0,99 | 20 | 115 | 90 | 63,6 | 21 | 7 |
| UKFC206 | 1,31 | 25 | 125 | 100 | 70,7 | 23 | 8 |
| UKFC207 | 1,78 | 30 | 135 | 110 | 77,8 | 26 | 9 |
| UKFC208 | 2,12 | 35 | 145 | 120 | 84,8 | 26 | 9 |
| UKFC209 | 2,82 | 40 | 160 | 132 | 93,3 | 26 | 14 |
| UKFC210 | 3,14 | 45 | 165 | 138 | 97,6 | 28 | 14 |
| UKFC211 | 4,15 | 50 | 185 | 150 | 106,1 | 31 | 15 |
| UKFC212 | 4,95 | 55 | 195 | 160 | 113,1 | 36 | 15 |
| UKFC213 | 5,62 | 60 | 205 | 170 | 120,2 | 36 | 15 |
| UKFC215 | 7,69 | 65 | 220 | 184 | 130,1 | 40 | 18 |
| UKFC216 | 9,28 | 70 | 240 | 200 | 141,4 | 42 | 18 |
| UKFC217 | 10,83 | 75 | 250 | 208 | 147,1 | 45 | 20 |
| UKFC218 | 12,72 | 80 | 265 | 220 | 155,55 | 50 | 20 |

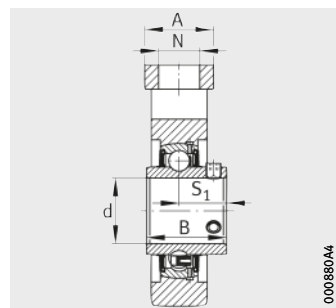
| | | | | | | | Housing | Radial insert ball bearing |
|----------------|----|-----|----------------|----------------|------|---------------------|---------|----------------------------|
| A ₂ | N | Z | T ₁ | B ₁ | U | d ₃ max. | | |
| 10 | 12 | 70 | 6 | 35 | 30,7 | 38 | FC205 | UK205 |
| 10 | 12 | 80 | 8 | 38 | 32,2 | 45 | FC206 | UK206 |
| 11 | 14 | 90 | 8 | 43 | 35,7 | 52 | FC207 | UK207 |
| 11 | 14 | 100 | 10 | 46 | 37,7 | 58 | FC208 | UK208 |
| 10 | 16 | 105 | 12 | 50 | 38,2 | 65 | FC209 | UK209 |
| 10 | 16 | 110 | 12 | 55 | 40,2 | 70 | FC210 | UK210 |
| 13 | 19 | 125 | 12 | 59 | 44,2 | 75 | FC211 | UK211 |
| 17 | 19 | 135 | 12 | 62 | 51,2 | 80 | FC212 | UK212 |
| 16 | 19 | 145 | 14 | 65 | 51,2 | 85 | FC213 | UK213 |
| 18 | 19 | 160 | 16 | 73 | 55 | 98 | FC215 | UK215 |
| 18 | 23 | 170 | 16 | 78 | 58,2 | 105 | FC216 | UK216 |
| 18 | 23 | 180 | 18 | 82 | 60,2 | 110 | FC217 | UK217 |
| 22 | 23 | 190 | 18 | 86 | 65,7 | 120 | FC218 | UK218 |

Take-up housing units

For linear motion
With grub screws
in inner ring



UCT



UCT

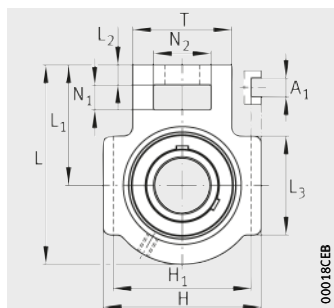
Dimension table · Dimensions in mm and *inch*

| Designation | Mass m ≈kg | Dimensions | | L | L ₁ | L ₂ | L ₃ |
|-------------|------------------|------------|-------------|-----|----------------|----------------|----------------|
| | | d | | | | | |
| | | mm | <i>inch</i> | | | | |
| UCT201 | 0,77 | 12 | – | 94 | 61 | 10 | 51 |
| UCT201-08 | 0,77 | 12,7 | 1/2 | | | | |
| UCT202-09 | 0,76 | 14,288 | 9/16 | | | | |
| UCT202 | 0,75 | 15 | – | | | | |
| UCT202-10 | 0,75 | 15,875 | 5/8 | | | | |
| UCT203 | 0,74 | 17 | – | | | | |
| UCT203-11 | 0,74 | 17,463 | 11/16 | | | | |
| UCT204-12 | 0,73 | 19,05 | 3/4 | | | | |
| UCT204 | 0,72 | 20 | – | 97 | 62 | 10 | 51 |
| UCT205-13 | 0,84 | 20,638 | 13/16 | | | | |
| UCT205-14 | 0,83 | 22,225 | 7/8 | | | | |
| UCT205-15 | 0,81 | 23,812 | 15/16 | | | | |
| UCT205 | 0,8 | 25 | – | | | | |
| UCT205-16 | 0,8 | 25,4 | 1 | 113 | 70 | 10 | 57 |
| UCT206-17 | 1,27 | 26,988 | 1 1/16 | | | | |
| UCT206-18 | 1,25 | 28,575 | 1 1/8 | | | | |
| UCT206 | 1,23 | 30 | – | | | | |
| UCT206-19 | 1,23 | 30,162 | 1 3/16 | | | | |
| UCT206-20 | 1,2 | 31,75 | 1 1/4 | 129 | 78 | 13 | 64 |
| UCT207-20 | 1,64 | 31,75 | 1 1/4 | | | | |
| UCT207-21 | 1,61 | 33,338 | 1 5/16 | | | | |
| UCT207-22 | 1,58 | 34,925 | 1 3/8 | | | | |
| UCT207 | 1,58 | 35 | – | | | | |
| UCT207-23 | 1,55 | 36,512 | 1 7/16 | 144 | 88 | 16 | 83 |
| UCT208-24 | 2,36 | 38,1 | 1 1/2 | | | | |
| UCT208-25 | 2,33 | 39,688 | 1 9/16 | | | | |
| UCT208 | 2,32 | 40 | – | 144 | 87 | 16 | 83 |
| UCT209-26 | 2,46 | 41,275 | 1 5/8 | | | | |
| UCT209-27 | 2,42 | 42,862 | 1 11/16 | | | | |
| UCT209-28 | 2,38 | 44,45 | 1 3/4 | | | | |
| UCT209 | 2,37 | 45 | – | 149 | 90 | 16 | 86 |
| UCT210-29 | 2,64 | 46,038 | 1 13/16 | | | | |
| UCT210-30 | 2,59 | 47,625 | 1 7/8 | | | | |
| UCT210-31 | 2,54 | 49,212 | 1 15/16 | | | | |
| UCT210 | 2,52 | 50 | – | | | | |
| UCT210-32 | 2,5 | 50,8 | 2 | | | | |

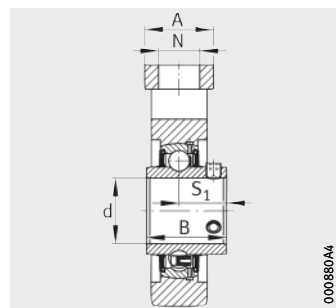
| | | | | | | | | | | Housing | Radial insert ball bearing | | | | | | | | | | | |
|----------|----------------|----------------|----|-----|----------------|----------------|------|----------------|----|---------|----------------------------|----|----|----|-----|----|----|------|------|----|------|----------|
| N | N ₁ | N ₂ | A | H | H ₁ | A ₁ | B | S ₁ | T | | | | | | | | | | | | | |
| 19 | 16 | 32 | 32 | 89 | 76 | 12 | 31 | 18,3 | 51 | T204 | UC201 | | | | | | | | | | | |
| | | | | | | | | | | | UC201-08 | | | | | | | | | | | |
| | | | | | | | | | | | UC202-09 | | | | | | | | | | | |
| | | | | | | | | | | | UC202 | | | | | | | | | | | |
| | | | | | | | | | | | UC202-10 | | | | | | | | | | | |
| | | | | | | | | | | | UC203 | | | | | | | | | | | |
| | | | | | | | | | | | UC203-11 | | | | | | | | | | | |
| | | | | | | | | | | | UC204-12 | | | | | | | | | | | |
| 19 | 16 | 32 | 32 | 89 | 76 | 12 | 34,1 | 19,8 | 51 | T205 | UC205-13 | | | | | | | | | | | |
| | | | | | | | | | | | UC205-14 | | | | | | | | | | | |
| | | | | | | | | | | | UC205-15 | | | | | | | | | | | |
| | | | | | | | | | | | UC205 | | | | | | | | | | | |
| | | | | | | | | | | | UC205-16 | | | | | | | | | | | |
| | | | | | | | | | | | 22 | 16 | 37 | 37 | 102 | 89 | 12 | 38,1 | 22,2 | 56 | T206 | UC206-17 |
| | | | | | | | | | | | | | | | | | | | | | | UC206-18 |
| | | | | | | | | | | | | | | | | | | | | | | UC206 |
| UC206-19 | | | | | | | | | | | | | | | | | | | | | | |
| UC206-20 | | | | | | | | | | | | | | | | | | | | | | |
| 22 | 16 | 37 | 37 | 102 | 89 | 12 | 42,9 | 25,4 | 64 | T207 | UC207-20 | | | | | | | | | | | |
| | | | | | | | | | | | UC207-21 | | | | | | | | | | | |
| | | | | | | | | | | | UC207-22 | | | | | | | | | | | |
| | | | | | | | | | | | UC207 | | | | | | | | | | | |
| | | | | | | | | | | | UC207-23 | | | | | | | | | | | |
| 29 | 19 | 49 | 49 | 114 | 102 | 16 | 49,2 | 30,2 | 83 | T208 | UC208-24 | | | | | | | | | | | |
| | | | | | | | | | | | UC208-25 | | | | | | | | | | | |
| | | | | | | | | | | | UC208 | | | | | | | | | | | |
| 29 | 19 | 49 | 49 | 117 | 102 | 16 | 49,2 | 30,2 | 83 | T209 | UC209-26 | | | | | | | | | | | |
| | | | | | | | | | | | UC209-27 | | | | | | | | | | | |
| | | | | | | | | | | | UC209-28 | | | | | | | | | | | |
| | | | | | | | | | | | UC209 | | | | | | | | | | | |
| 29 | 19 | 49 | 49 | 117 | 102 | 16 | 51,6 | 32,6 | 83 | T210 | UC210-29 | | | | | | | | | | | |
| | | | | | | | | | | | UC210-30 | | | | | | | | | | | |
| | | | | | | | | | | | UC210-31 | | | | | | | | | | | |
| | | | | | | | | | | | UC210 | | | | | | | | | | | |
| | | | | | | | | | | | UC210-32 | | | | | | | | | | | |

Take-up housing units

For linear motion
With grub screws
in inner ring



UCT



UCT

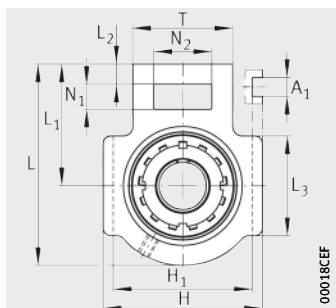
Dimension table (continued) · Dimensions in mm and inch

| Designation | Mass m ≈ kg | Dimensions | | L | L ₁ | L ₂ | L ₃ |
|-------------|-------------------|------------|---------------------------------|-----|----------------|----------------|----------------|
| | | d | | | | | |
| | | mm | inch | | | | |
| UCT211-32 | 3,98 | 50,8 | 2 | 171 | 106 | 19 | 95 |
| UCT211-33 | 3,93 | 52,388 | 2 ¹ / ₁₆ | | | | |
| UCT211-34 | 3,87 | 53,975 | 2 ¹ / ₈ | | | | |
| UCT211 | 3,83 | 55 | – | | | | |
| UCT211-35 | 3,81 | 55,562 | 2 ³ / ₁₆ | | | | |
| UCT212-36 | 4,84 | 57,15 | 2 ¹ / ₄ | 194 | 119 | 19 | 102 |
| UCT212-37 | 4,77 | 58,738 | 2 ⁵ / ₁₆ | | | | |
| UCT212 | 4,71 | 60 | – | | | | |
| UCT212-38 | 4,69 | 60,325 | 2 ³ / ₈ | | | | |
| UCT212-39 | 4,61 | 61,912 | 2 ⁷ / ₁₆ | | | | |
| UCT213-40 | 6,68 | 63,5 | 2 ¹ / ₂ | 224 | 137 | 21 | 121 |
| UCT213 | 6,61 | 65 | – | | | | |
| UCT213-41 | 6,6 | 65,087 | 2 ⁹ / ₁₆ | | | | |
| UCT214-42 | 6,98 | 66,675 | 2 ⁵ / ₈ | 224 | 137 | 21 | 121 |
| UCT214-43 | 6,88 | 68,262 | 2 ¹¹ / ₁₆ | | | | |
| UCT214-44 | 6,78 | 69,85 | 2 ³ / ₄ | | | | |
| UCT214 | 6,77 | 70 | – | | | | |
| UCT215-45 | 7,45 | 71,438 | 2 ¹³ / ₁₆ | 232 | 140 | 21 | 121 |
| UCT215-46 | 7,34 | 73,025 | 2 ⁷ / ₈ | | | | |
| UCT215-47 | 7,23 | 74,612 | 2 ¹⁵ / ₁₆ | | | | |
| UCT215 | 7,2 | 75 | – | | | | |
| UCT215-48 | 7,12 | 76,2 | 3 | | | | |
| UCT216-49 | 8,27 | 77,787 | 3 ¹ / ₁₆ | 235 | 140 | 21 | 121 |
| UCT216-50 | 8,14 | 79,375 | 3 ¹ / ₈ | | | | |
| UCT216 | 8,09 | 80 | – | | | | |
| UCT216-51 | 8,01 | 80,962 | 3 ³ / ₁₆ | | | | |
| UCT217-52 | 10,8 | 82,55 | 3 ¹ / ₄ | 260 | 162 | 29 | 157 |
| UCT217-53 | 10,7 | 84,137 | 3 ⁵ / ₁₆ | | | | |
| UCT217 | 10,6 | 85 | – | | | | |
| UCT217-55 | 10,4 | 87,312 | 3 ⁷ / ₁₆ | | | | |
| UCT218-56 | 12,37 | 88,9 | 3 ¹ / ₂ | 275 | 170 | 30 | 140 |
| UCT218 | 12,26 | 90 | – | | | | |

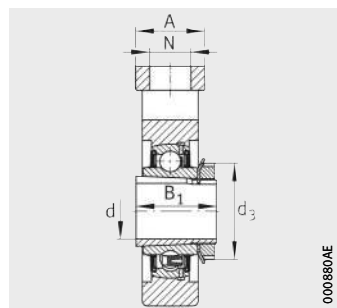
| | | | | | | | | | | Housing | Radial insert ball bearing |
|----|----------------|----------------|----|-----|----------------|----------------|------|----------------|-----|---------|----------------------------|
| N | N ₁ | N ₂ | A | H | H ₁ | A ₁ | B | S ₁ | T | | |
| 35 | 25 | 64 | 64 | 146 | 130 | 22 | 55,6 | 33,4 | 102 | T211 | UC211-32 |
| | | | | | | | | | | | UC211-33 |
| | | | | | | | | | | | UC211-34 |
| | | | | | | | | | | | UC211 |
| | | | | | | | | | | | UC211-35 |
| 35 | 32 | 64 | 64 | 146 | 130 | 22 | 65,1 | 39,7 | 102 | T212 | UC212-36 |
| | | | | | | | | | | | UC212-37 |
| | | | | | | | | | | | UC212 |
| | | | | | | | | | | | UC212-38 |
| | | | | | | | | | | | UC212-39 |
| 41 | 32 | 70 | 70 | 167 | 151 | 26 | 65,1 | 39,7 | 111 | T213 | UC213-40 |
| | | | | | | | | | | | UC213 |
| | | | | | | | | | | | UC213-41 |
| 41 | 32 | 70 | 70 | 167 | 151 | 26 | 74,6 | 44,4 | 111 | T214 | UC214-42 |
| | | | | | | | | | | | UC214-43 |
| | | | | | | | | | | | UC214-44 |
| | | | | | | | | | | | UC214 |
| 41 | 32 | 70 | 70 | 167 | 151 | 26 | 77,8 | 44,5 | 111 | T215 | UC215-45 |
| | | | | | | | | | | | UC215-46 |
| | | | | | | | | | | | UC215-47 |
| | | | | | | | | | | | UC215 |
| 41 | 32 | 70 | 70 | 184 | 165 | 26 | 82,6 | 49,3 | 111 | T216 | UC216-49 |
| | | | | | | | | | | | UC216-50 |
| | | | | | | | | | | | UC216 |
| | | | | | | | | | | | UC216-51 |
| 48 | 38 | 73 | 73 | 198 | 173 | 30 | 85,7 | 51,6 | 124 | T217 | UC217-52 |
| | | | | | | | | | | | UC217-53 |
| | | | | | | | | | | | UC217 |
| | | | | | | | | | | | UC217-55 |
| 47 | 40 | 80 | 80 | 215 | 190 | 28 | 96 | 56,3 | 130 | T218 | UC218-56 |
| | | | | | | | | | | | UC218 |

Take-up housing units

For linear motion
With adapter sleeve



UKT



UKT

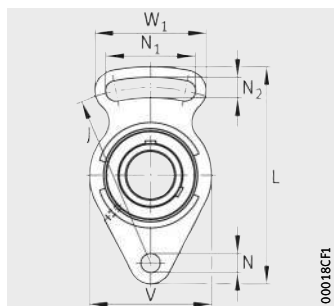
Dimension table · Dimensions in mm

| Designation | Mass m ≈ kg | Dimensions | | | | |
|---------------|-------------------|------------|-----|----------------|----------------|----------------|
| | | d | L | L ₁ | L ₂ | L ₃ |
| UKT205 | 0,85 | 20 | 97 | 62 | 10 | 51 |
| UKT206 | 1,29 | 25 | 113 | 70 | 10 | 57 |
| UKT207 | 1,66 | 30 | 129 | 78 | 13 | 64 |
| UKT208 | 2,4 | 35 | 144 | 88 | 16 | 83 |
| UKT209 | 2,5 | 40 | 144 | 87 | 16 | 83 |
| UKT210 | 2,7 | 45 | 149 | 90 | 16 | 86 |
| UKT211 | 4 | 50 | 171 | 106 | 19 | 95 |
| UKT212 | 4,79 | 55 | 194 | 119 | 19 | 102 |
| UKT213 | 6,76 | 60 | 224 | 137 | 21 | 121 |
| UKT215 | 7,68 | 65 | 232 | 140 | 21 | 121 |
| UKT216 | 8,6 | 70 | 235 | 140 | 21 | 121 |
| UKT217 | 11,2 | 75 | 260 | 162 | 29 | 157 |
| UKT218 | 12,77 | 80 | 275 | 170 | 30 | 140 |

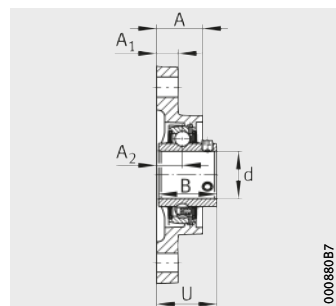
| | | | | | | | | | | Housing | Radial insert ball bearing |
|----|----------------|----------------|----|-----|----------------|----------------|----------------|------------------------|-----|---------|----------------------------|
| N | N ₁ | N ₂ | A | H | H ₁ | A ₁ | B ₁ | d ₃ max. | T | | |
| 19 | 16 | 32 | 32 | 89 | 76 | 12 | 35 | 38 | 51 | T205 | UK205 |
| 22 | 16 | 37 | 37 | 102 | 89 | 12 | 38 | 45 | 56 | T206 | UK206 |
| 22 | 16 | 37 | 37 | 102 | 89 | 12 | 43 | 52 | 64 | T207 | UK207 |
| 29 | 19 | 49 | 49 | 114 | 102 | 16 | 46 | 58 | 83 | T208 | UK208 |
| 29 | 19 | 49 | 49 | 117 | 102 | 16 | 50 | 65 | 83 | T209 | UK209 |
| 29 | 19 | 49 | 49 | 117 | 102 | 16 | 55 | 70 | 83 | T210 | UK210 |
| 35 | 25 | 64 | 64 | 146 | 130 | 22 | 59 | 75 | 102 | T211 | UK211 |
| 35 | 32 | 64 | 64 | 146 | 130 | 22 | 62 | 80 | 102 | T212 | UK212 |
| 41 | 32 | 70 | 70 | 167 | 151 | 26 | 65 | 85 | 111 | T213 | UK213 |
| 41 | 32 | 70 | 70 | 167 | 151 | 26 | 73 | 98 | 111 | T215 | UK215 |
| 41 | 32 | 70 | 70 | 184 | 165 | 26 | 78 | 105 | 111 | T216 | UK216 |
| 48 | 38 | 73 | 73 | 198 | 173 | 30 | 82 | 110 | 124 | T217 | UK217 |
| 47 | 40 | 80 | 80 | 215 | 190 | 28 | 86 | 120 | 130 | T218 | UK218 |

Take-up housing units

For swivel motion
With grub screws
in inner ring



UCFA



UCFA

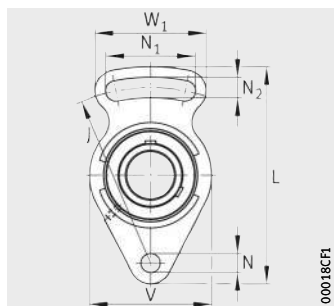
Dimension table · Dimensions in mm and *inch*

| Designation | Mass m ≈ kg | Dimensions | | L | J | A | A ₁ | A ₂ |
|-------------|-------------------|------------|-------------|-----|-----|------|----------------|----------------|
| | | d | | | | | | |
| | | mm | <i>inch</i> | | | | | |
| UCFA201 | 0,45 | 12 | – | 98 | 78 | 25,5 | 12 | 15 |
| UCFA201-08 | 0,44 | 12,7 | 1/2 | | | | | |
| UCFA202-09 | 0,43 | 14,288 | 9/16 | | | | | |
| UCFA202 | 0,43 | 15 | – | | | | | |
| UCFA202-10 | 0,43 | 15,875 | 5/8 | | | | | |
| UCFA203 | 0,42 | 17 | – | | | | | |
| UCFA203-11 | 0,42 | 17,462 | 11/16 | | | | | |
| UCFA204-12 | 0,41 | 19,05 | 3/4 | 125 | 98 | 27 | 14 | 16 |
| UCFA204 | 0,41 | 20 | – | | | | | |
| UCFA205-13 | 0,67 | 20,638 | 13/16 | | | | | |
| UCFA205-14 | 0,66 | 22,225 | 7/8 | | | | | |
| UCFA205-15 | 0,64 | 23,812 | 15/16 | 144 | 117 | 31 | 14 | 18 |
| UCFA205 | 0,63 | 25 | – | | | | | |
| UCFA205-16 | 0,62 | 25,4 | 1 | | | | | |
| UCFA206-17 | 0,94 | 26,988 | 1 1/16 | | | | | |
| UCFA206-18 | 0,92 | 28,575 | 1 1/8 | 144 | 117 | 31 | 14 | 18 |
| UCFA206 | 0,9 | 30 | – | | | | | |
| UCFA206-19 | 0,9 | 30,162 | 1 3/16 | | | | | |
| UCFA206-20 | 0,88 | 31,75 | 1 1/4 | | | | | |

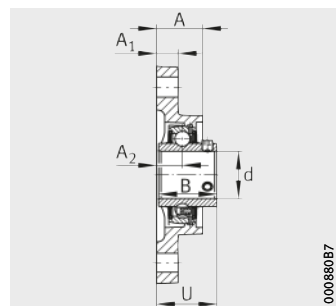
| | | | | | | | Housing | Radial insert ball bearing |
|----------|----------------|----------------|----|----------------|------|------|---------|----------------------------|
| N | N ₁ | N ₂ | V | W ₁ | B | U | | |
| 10 | 40 | 10 | 60 | 50 | 31 | 33,3 | FA204 | UC201 |
| | | | | | | | | UC201-08 |
| | | | | | | | | UC202-09 |
| | | | | | | | | UC202 |
| | | | | | | | | UC202-10 |
| | | | | | | | | UC203 |
| | | | | | | | | UC203-11 |
| | | | | | | | | UC204-12 |
| 12 | 51 | 12 | 68 | 66 | 34,1 | 35,8 | FA205 | UC204 |
| | | | | | | | | UC205-13 |
| | | | | | | | | UC205-14 |
| | | | | | | | | UC205-15 |
| | | | | | | | | UC205 |
| UC205-16 | | | | | | | | |
| 12 | 58 | 12 | 80 | 72 | 38,1 | 40,2 | FA206 | UC206-17 |
| | | | | | | | | UC206-18 |
| | | | | | | | | UC206 |
| | | | | | | | | UC206-19 |
| | | | | | | | | UC206-20 |

Take-up housing units

For swivel motion
With grub screws
in inner ring



UCFA



UCFA

Dimension table (continued) - Dimensions in mm and inch

| Designation | Mass m ≈ kg | Dimensions | | L | J | A | A ₁ | A ₂ |
|-------------|-------------------|------------|---------------------------------|-----|-----|------|----------------|----------------|
| | | d | | | | | | |
| | | mm | inch | | | | | |
| UCFA207-20 | 1,29 | 31,75 | 1 ¹ / ₄ | 161 | 130 | 34 | 16 | 19 |
| UCFA207-21 | 1,26 | 33,338 | 1 ⁵ / ₁₆ | | | | | |
| UCFA207-22 | 1,24 | 34,925 | 1 ³ / ₈ | | | | | |
| UCFA207 | 1,23 | 35 | – | | | | | |
| UCFA207-23 | 1,21 | 36,512 | 1 ⁷ / ₁₆ | | | | | |
| UCFA208-24 | 1,58 | 38,1 | 1 ¹ / ₂ | 175 | 144 | 36 | 16 | 21 |
| UCFA208-25 | 1,54 | 39,688 | 1 ⁹ / ₁₆ | | | | | |
| UCFA208 | 1,53 | 40 | – | | | | | |
| UCFA209-26 | 1,99 | 41,275 | 1 ⁵ / ₈ | 181 | 148 | 38 | 18 | 22 |
| UCFA209-27 | 1,95 | 42,862 | 1 ¹¹ / ₁₆ | | | | | |
| UCFA209-28 | 1,91 | 44,45 | 1 ³ / ₄ | | | | | |
| UCFA209 | 1,9 | 45 | – | | | | | |
| UCFA210-29 | 2,2 | 46,038 | 1 ¹³ / ₁₆ | 190 | 157 | 37,5 | 18 | 22 |
| UCFA210-30 | 2,16 | 47,625 | 1 ⁷ / ₈ | | | | | |
| UCFA210-31 | 2,11 | 49,212 | 1 ¹⁵ / ₁₆ | | | | | |
| UCFA210 | 2,08 | 50 | – | | | | | |
| UCFA210-32 | 2,06 | 50,8 | 2 | | | | | |
| UCFA211-32 | 3,1 | 50,8 | 2 | 219 | 184 | 43 | 20 | 25 |
| UCFA211-33 | 3,05 | 52,388 | 2 ¹ / ₁₆ | | | | | |
| UCFA211-34 | 2,99 | 53,975 | 2 ¹ / ₈ | | | | | |
| UCFA211 | 2,95 | 55 | – | | | | | |
| UCFA211-35 | 2,93 | 55,562 | 2 ³ / ₁₆ | | | | | |

| | | | | | | | Housing | Radial insert ball bearing |
|----|----------------|----------------|-----|----------------|------|------|---------|----------------------------|
| N | N ₁ | N ₂ | V | W ₁ | B | U | | |
| 14 | 66 | 14 | 90 | 82 | 42,9 | 44,4 | FA207 | UC207-20 |
| | | | | | | | | UC207-21 |
| | | | | | | | | UC207-22 |
| | | | | | | | | UC207 |
| | | | | | | | | UC207-23 |
| 14 | 71 | 14 | 100 | 87 | 49,2 | 51,2 | FA208 | UC208-24 |
| | | | | | | | | UC208-25 |
| | | | | | | | | UC208 |
| 16 | 72 | 16 | 108 | 90 | 49,2 | 52,2 | FA209 | UC209-26 |
| | | | | | | | | UC209-27 |
| | | | | | | | | UC209-28 |
| | | | | | | | | UC209 |
| 16 | 76 | 16 | 115 | 94 | 51,6 | 54,6 | FA210 | UC210-29 |
| | | | | | | | | UC210-30 |
| | | | | | | | | UC210-31 |
| | | | | | | | | UC210 |
| | | | | | | | | UC210-32 |
| 16 | 86 | 16 | 130 | 104 | 55,6 | 58,4 | FA211 | UC211-32 |
| | | | | | | | | UC211-33 |
| | | | | | | | | UC211-34 |
| | | | | | | | | UC211 |
| | | | | | | | | UC211-35 |

Notes

Schaeffler Technologies AG & Co. KG

Georg-Schäfer-Straße 30
97421 Schweinfurt
Germany
Internet www.fag.com
E-mail faginfo@schaeffler.com

In Germany:

Phone 0180 5003872
Fax 0180 5003873

From other countries:

Phone +49 9721 91-0
Fax +49 9721 91-3435

Every care has been taken to ensure the correctness of the information contained in this publication but no liability can be accepted for any errors or omissions. We reserve the right to make technical changes.

© Schaeffler Technologies AG & Co. KG
Issued: 2015, August

This publication or parts thereof may not be reproduced without our permission.
TPI 219 GB-D