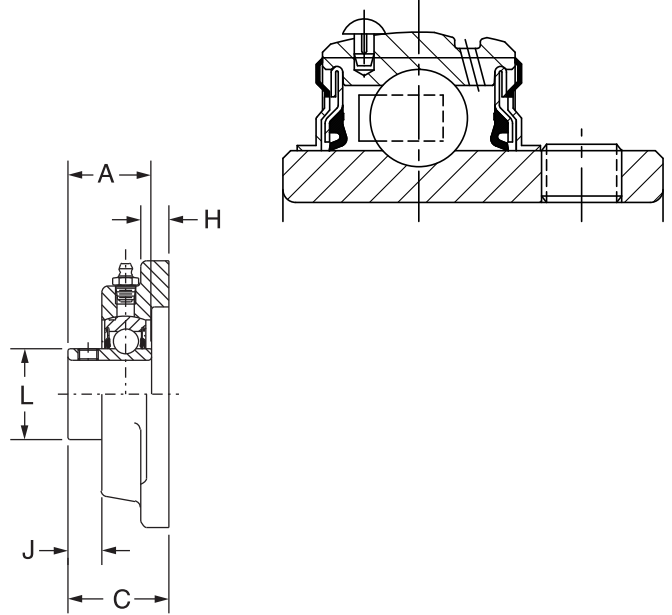
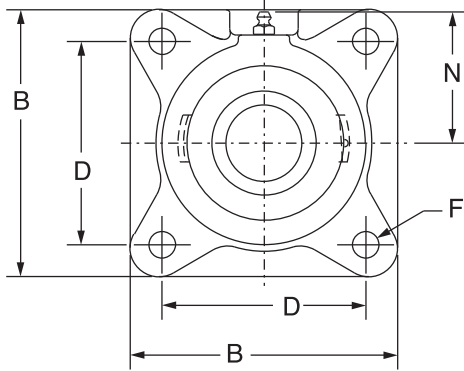


SELECTION/DIMENSIONS



Setscrew Ball Bearings SC NORMAL DUTY 4-BOLT FLANGE BEARINGS

Lube Fitting Thread Size:
203 - 204 series - 1/4-28 tapered thread
207 - 207 series - 1/8-27 NPT



Series	Shaft Size	Standard		No-Lube/Sealed for Life (-NL)	
		Part No.	Description	Part No.	Description
208	1-1/2	124209	F4B-SC-108	051991	F4B-SC-108-NL
	1-5/8	124210	F4B-SC-110	052008	F4B-SC-110-NL
	40mm	125890	F4B-SC-40M	073769	F4B-SC-40M-NL
209	1-5/8	125170	F4B-SC-110L	@	F4B-SC-110L-NL
	1-11/16	124211	F4B-SC-111	064214	F4B-SC-111-NL
	1-3/4	124212	F4B-SC-112	126531	F4B-SC-112-NL
	45mm	125891	F4B-SC-45M	@	F4B-SC-45M-NL
210	1-15/16	124213	F4B-SC-115	051992	F4B-SC-115-NL
	2	124214	F4B-SC-200	050867	F4B-SC-200-NL
	50mm	125892	F4B-SC-50M	068571	F4B-SC-50M-NL
211	2	126192	F4B-SCM-200	052004	F4B-SCM-200-NL
	2-3/16	124215	F4B-SC-203	052007	F4B-SC-203-NL
	2-1/4	124216	F4B-SC-204	052006	F4B-SC-204-NL
	55mm	125893	F4B-SC-55M	068572	F4B-SC-55M-NL
212	2-1/4	126283	F4B-SCM-204	126537	F4B-SCM-204-NL
	2-7/16	124217	F4B-SC-207	050843	F4B-SC-207-NL
	60mm	125894	F4B-SC-60M	064203	F4B-SC-60M-NL
214	2-1/2	126195	F4B-SCM-208	@	F4B-SCM-208-NL
	2-11/16	124261	F4B-SC-211	@	F4B-SC-211-NL
	70mm	125895	F4B-SC-70M	@	F4B-SC-70M-NL
215	2-15/16	124220	F4B-SC-215	052291	F4B-SC-215-NL
	75mm	125896	F4B-SC-75M	068573	F4B-SC-75M-NL

@ Assembled to order

FEATURES/BENEFITS PAGE B4-3	HOW TO ORDER/NOMENCLATURE PAGE B4-5	SELECTION PAGE B4-6	ACCESSORIES PAGE B4-98
--------------------------------	--	------------------------	---------------------------

SELECTION/DIMENSIONS



Setscrew Ball Bearings SC NORMAL DUTY 4-BOLT FLANGE BEARINGS

Bearing Reference Guide

ULTRA KLEEN

E-Z KLEEN

Extreme Duty

Setscrew Ball Bearing

GRIP TIGHT

D-LOK Ball Bearing

Series	Shaft Size	Weight lbs. kgs.	A	B	C	D	F Bolt Dia	H	J	L	N
208	1-1/2	4.8	1.94	5.13	1.98	4.00	1/2	0.56	0.63	2.05	2.38
	1-5/8	4.7									
	40mm	2.1	49.3	130.3	50.3	101.6	M12	14.2	16.0	52.1	60.5
209	1-5/8	6.1	1.94	5.38	1.99	4.13	1/2	0.63	0.59	2.22	2.75
	1-11/16	6.0									
	1-3/4	5.9									
210	45mm	2.7	49.3	136.7	50.5	104.8	M12	16.0	15.0	56.4	69.9
	1-15/16	6.7	1.94	5.63	2.02	4.38	1/2	0.63	0.55	2.43	2.88
	2	6.6									
211	50mm	3.0	49.3	143.0	51.3	111.1	M12	16.0	14.0	61.7	73.2
	2	9.3	2.22	6.50	2.28	5.13	5/8	0.69	0.68	2.71	3.25
	2-3/16	9.0									
212	2-1/4	8.9									
	55mm	4.1	56.4	165.1	57.9	130.2	M16	17.5	17.3	68.8	82.6
	2-1/4	11.1	2.31	6.88	2.38	5.63	5/8	0.69	0.66	2.97	3.50
214	2-7/16	10.6									
	60mm	6.0	58.7	174.8	60.5	142.9	M16	17.5	16.8	75.4	88.9
	2-1/2	16.0	2.54	7.38	2.78	5.88	5/8	0.69	0.60	3.31	3.69
215	2-11/16	15.4									
	70mm	6.9	64.5	187.5	70.6	149.2	M16	17.5	15.2	84.1	93.7
	2-15/16	17.6	2.33	7.75	2.88	6.00	3/4	1.00	0.63	3.62	3.88
	75mm	8.0	59.2	196.9	73.2	152.4	M18	25.4	16.0	91.9	98.6

FEATURES/BENEFITS PAGE B4-3	HOW TO ORDER/NOMENCLATURE PAGE B4-5	SELECTION PAGE B4-6	ACCESSORIES PAGE B4-98
--------------------------------	--	------------------------	---------------------------